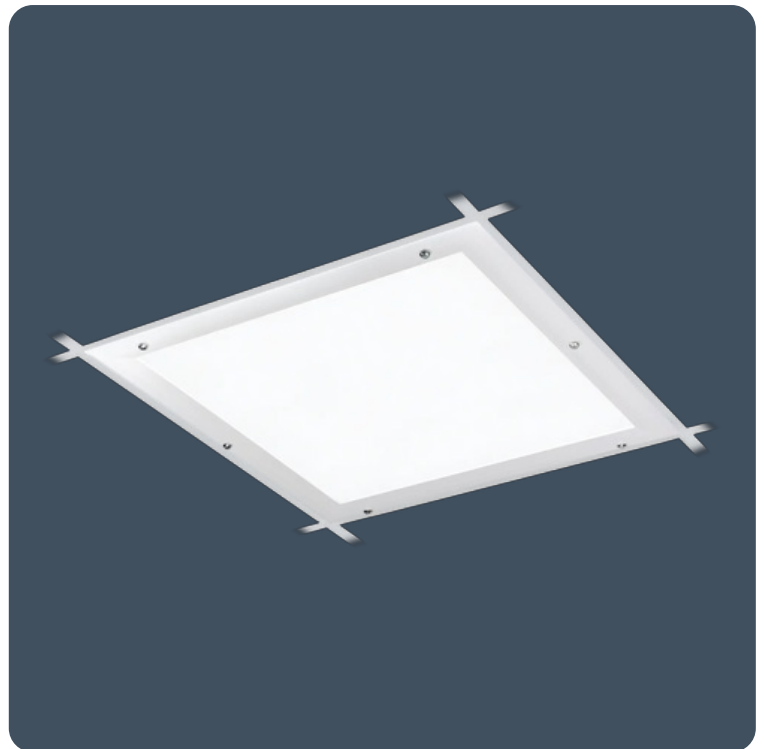


Cleanroom LED recessed luminaires

IP65 recessed modular luminaires with quick release extruded aluminium cover frame and a choice of two front covers. Satisfies the requirements of cleanroom classifications FS209D 10,000 and 100,000 and ISO BSEN 14644-1, 7 and 8.

Applications: printing works, water treatment plants and pump rooms, industrial process areas, shower rooms and toilet blocks, food preparation areas.

- Quick release extruded aluminium cover frame
- Cover seals to ceiling with FDA approved silicone gasket
- Optional tamper-resistant cover screws
- Fits most suspended ceiling types or cut apertures
- SmartScan wireless technology removes the need for control cabling. Ideal for retro-fit



IP65 (IP20 above ceiling)

IK10

Up to 116.3 LL/CW

SMARTSCAN

LUXGUARD

Specification

| | | | |
|---------------|----------|-------------------------------|---------------------------|
| Mounting | Recessed | IP rating | IP65 (IP20 above ceiling) |
| Impact rating | IK10 | Max presence detection height | 8 m |

Lighting

| | | | |
|----------|-------------------------------------|--------------|---------------------|
| Optic | Low glare diffuser Opal diffuser | Lumen output | 2,250 lm - 4,805 lm |
| Efficacy | Up to 116.3 LL/CW | | |

Emergency data

| | | | |
|------------------------|-----------------|-----------------------|-----------------------------|
| Emergency lumen output | 215 lm - 300 lm | Emergency type | Maintained |
| Emergency duration | 3 hours | Battery specification | Nickel Metal Hydride (NiMH) |

Power

| | | | |
|-----------|-------------|---------------|-------------|
| LED power | 26 W - 38 W | Circuit power | 30 W - 43 W |
|-----------|-------------|---------------|-------------|

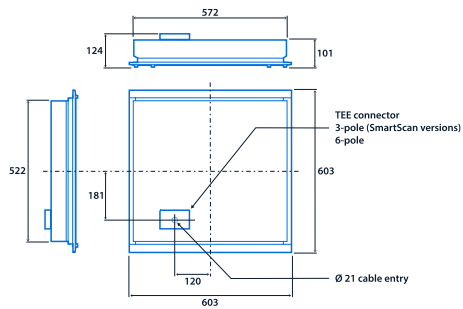
LED characteristics

| | | | |
|--------------------|-----------------|--------------------|--------|
| CRI | 80+ 90+ | Colour temperature | 4000 K |
| Rated life (hours) | 100 K - L80/B10 | | |

Compliance

| | | | |
|-------------------------|--|----|-------|
| UKCA | Yes | CE | Yes |
| Energy efficiency class | This product contains a light source of Thermoplastic rating energy efficiency class B | | TP(a) |

Dimensions



View the range



Information is correct as of 20 Dec 2024, however must not be interpreted as a guarantee of individual product performance and/or characteristics. We reserve the right to alter specifications and designs without prior notice.