

Stand-alone passive infra-red detector

Stand-alone passive infra-red detector for small spaces. Suitable for switching up to 3 A.

- Ideal for small areas with low occupancy patterns
- Recessed or Surface mounting options
- 240 V / 3 A switching capacity
- Adjustable time delay (10 seconds - 25 minutes)
- Integral photocell (switching only)
- Presence or absence detection modes (absence detection requires push to make switch, not supplied)



IP20

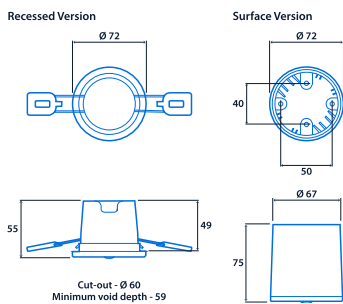
Specification

IP rating IP20

Compliance

UKCA Yes CE Yes

Dimensions





View the
range



Information is correct as of 20 Dec 2024, however must not be interpreted as a guarantee of individual product performance and/or characteristics. We reserve the right to alter specifications and designs without prior notice.