

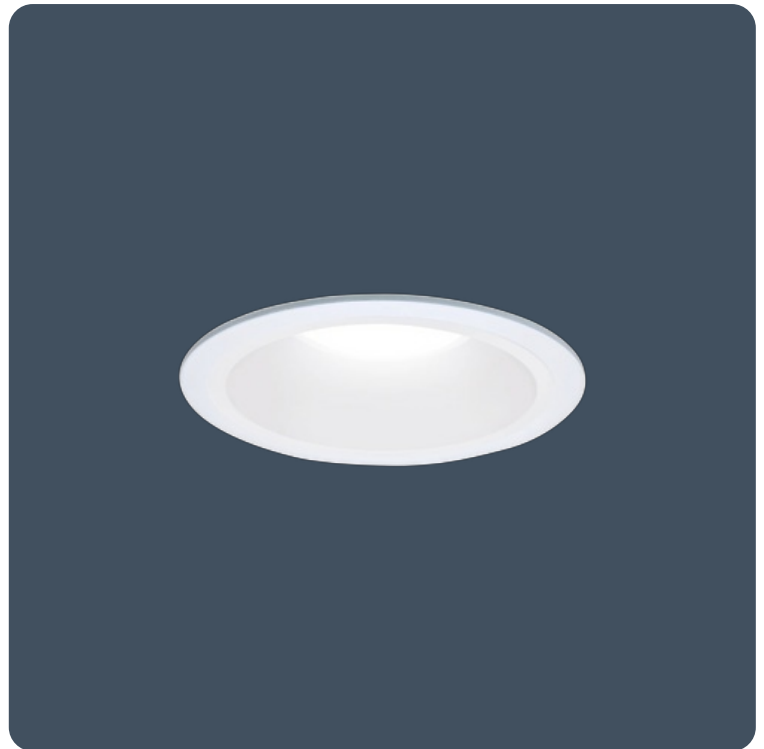
Circular recessed colour temperature changing downlighters

Tunable white recessed luminaires with injection moulded reflector finished white.

Applications: Offices, corridors, reception areas, toilets and retail.

- Fitted with 3000 K and 6500 K LEDs for colour temperature control
- Optional reinforcing board with centre cut aperture
- Supplied with remote gear unit fitted with 2 m supply lead
- ColourActive versions feature SmartScan wireless technology removes the need for control cabling. Ideal for retro-fit
- ColourActive versions fitted with 3-pole TEE connector for LCM wiring

Notes: Emergency not available with ColourActive versions



IP40 (IP20 above ceiling)

Up to 68.3 LL/CW

LED PROTECT

Specification

| | | | |
|----------|----------|-----------|---------------------------|
| Mounting | Recessed | IP rating | IP40 (IP20 above ceiling) |
|----------|----------|-----------|---------------------------|

Lighting

| | | | |
|--------------|-------------------|----------|------------------|
| Lumen output | 965 lm - 2,050 lm | Efficacy | Up to 68.3 LL/CW |
|--------------|-------------------|----------|------------------|

Emergency data

| | | | |
|------------------------|---------|-----------------------|-----------------------------|
| Emergency lumen output | 170 lm | Emergency type | Maintained |
| Emergency duration | 3 hours | Battery specification | Nickel Metal Hydride (NiMH) |

Power

| | | | |
|-----------|-------------|---------------|-------------|
| LED power | 12 W - 24 W | Circuit power | 15 W - 30 W |
|-----------|-------------|---------------|-------------|

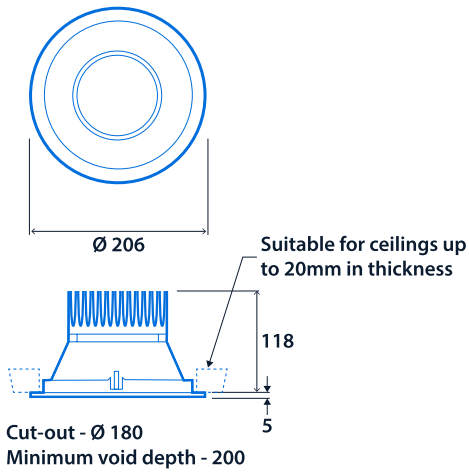
LED characteristics

| | | | |
|--------------------|----------------|--------------------|---------------|
| CRI | 80+ | Colour temperature | 3000 - 6500 K |
| Rated life (hours) | 60 K - L80/B10 | | |

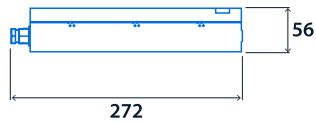
Compliance

UKCA Yes CE Yes

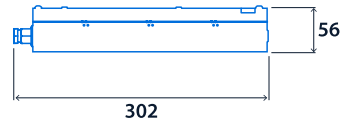
Dimensions



Standard version



Emergency version



3-pole TEE connector for ColourActive versions only

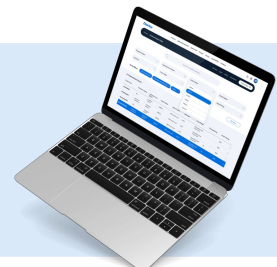


Open



Click or scan here

View G3 CA variants using our online filtering tool



Information is correct as of 30 Jan 2025, however must not be interpreted as a guarantee of individual product performance and/or characteristics. We reserve the right to alter specifications and designs without prior notice.