

## Enhanced circular recessed downlighters

Recessed luminaires featuring high performance metalised inner reflector with wide or narrow distribution options. Choice of white or anti-glare black injection moulded outer reflector. Glare control is excellent at 50° and above. Very efficient LEDs, 11 W, 24 W and high-output 51 W versions.

Applications: Offices, corridors, reception areas, toilets and retail.

- Choice of white or anti-glare black injection moulded flame-retardant outer reflector for dynamic appearance
- Excellent glare control at 50° and above
- Optional reinforcing board with centre cut aperture
- Supplied with remote gear unit fitted with 2 m lead
- SmartScan versions fitted with TEE connector for LCM wiring
- CRI 80 and CRI 90 available as standard. CRI 90 LEDs with enhanced R9 value available to special order
- SmartScan wireless technology removes the need for control cabling. Ideal for retro-fit



IP40 (IP20 above ceiling)

Up to 121.4 LL/CW

SMARTSCAN

## Specification

Mounting	Recessed	IP rating	IP40 (IP20 above ceiling)
Max presence detection height	8 m		

## Lighting

Lumen output	1,570 lm - 5,870 lm	Efficacy	Up to 121.4 LL/CW
--------------	---------------------	----------	-------------------

## Emergency data

Emergency type	Maintained	Emergency duration	3 hours
Battery specification	Nickel Metal Hydride (NiMH)		

## Power

LED power	11 W - 51 W	Circuit power	14 W - 58 W
-----------	-------------	---------------	-------------

## LED characteristics

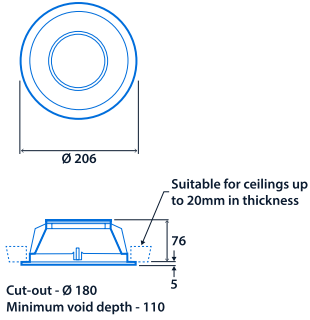
CRI	80+ 90+	Colour temperature	3000 K 4000 K
Rated life (hours)	50 K - L70/B10		

## Compliance

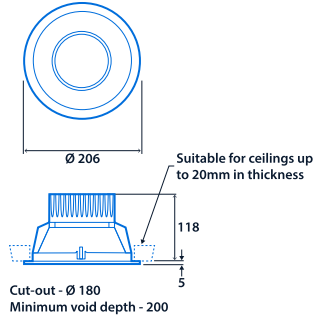
UKCA	Yes	CE	Yes
Energy efficiency class	This product contains a light source of energy efficiency class D		

## Dimensions

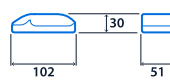
11W and 24W Versions



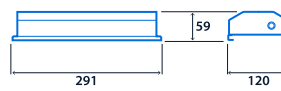
51W Versions



Standard Remote Driver



Downlighter Power Unit  
for SmartScan Radar, SmartScan Radar Emergency, Emergency and AutoTest versions



View the range



Information is correct as of 20 Dec 2024, however must not be interpreted as a guarantee of individual product performance and/or characteristics. We reserve the right to alter specifications and designs without prior notice.