

## High performance LED pole top luminaires

The Juno D is a high efficiency, IP66, circular LED pole top luminaire for higher mounting heights, designed to be used as a direct replacement for traditional circular pole top discharge luminaires up to twin 400W.

The Juno D is available in 99W to 326W with symmetric and asymmetric distributions capable of producing almost 48,000 lumens of white light, with colour rendition greater than 70 CRI.

Applications: car parks, amenity areas and hospital estates.

- Strong high-pressure die-cast aluminium top and column mount
- High-impact UV stabilised polycarbonate cover
- Smooth wipe clean surfaces, no dust traps
- Integral high efficiency drivers
- Extremely efficient and long system life up to 100,000 hours
- Fits 101mm columns as standard
- Photocell option
- Zero upward light



IP66

IK10

Up to 141.2 LL/CW



## Specification

Mounting	Column	IP rating	IP66
Impact rating	IK10	Windage rating	0.06 m <sup>2</sup>

## Lighting

Optic	Clear cover	Lumen output	13,880 lm - 47,575 lm
Efficacy	Up to 141.2 LL/CW		

## Power

LED power	99 W - 326 W	Circuit power	108 W - 350 W
-----------	--------------	---------------	---------------

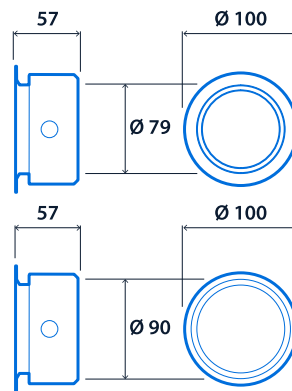
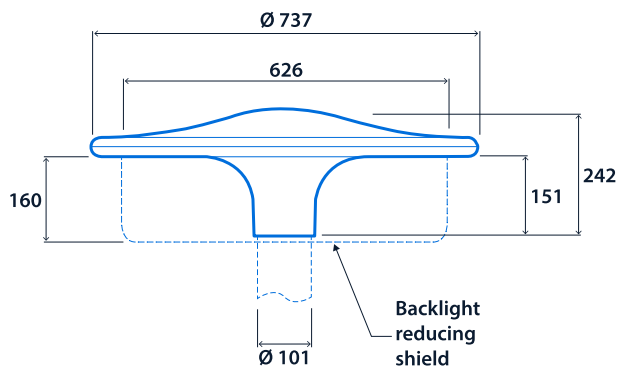
## LED characteristics

CRI	70+	Colour temperature	4000 K
Rated life (hours)	100 K - L80/B10		

## Compliance

UKCA	Yes	CE	Yes
Energy efficiency class	This product contains a light source of energy efficiency class B		

## Dimensions



101-76mm Reducer  
- JUN 18638  
To suit 76mm column

101-89mm Reducer  
- JUN 18639  
To suit 89mm column



**Click or scan here**  
View Juno D variants using  
our online filtering tool



Information is correct as of 30 Jan 2025, however must not be interpreted as a guarantee of individual product performance and/or characteristics. We reserve the right to alter specifications and designs without prior notice.