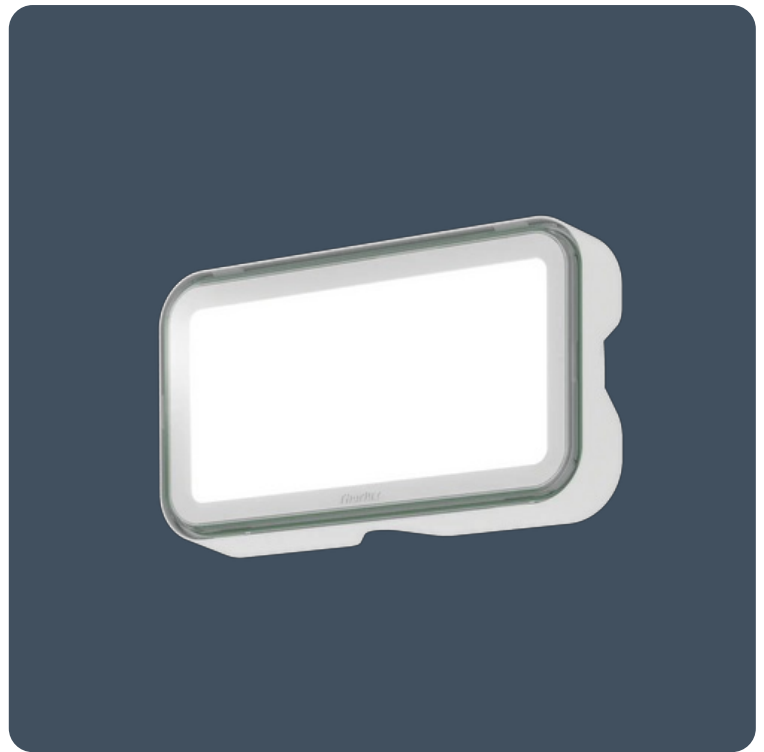


## LED emergency luminaires with dedicated SmartScan wireless technology versions

Surface mounted LED emergency luminaires with optional self-adhesive exit sign legend kit. Optional downlighter LED array illuminates the exit doorway. Body will accept conduit wiring.

Applications: general use emergency lighting, walkways, car parks, factories, changing rooms, final exit door illumination / signage.

- Extremely long LED lifetime, up to 100,000 hours
- 21.8 m maximum viewing distance in accordance with BS EN 1838 when using legend kits
- Simple to install, full status reporting SmartScan wireless communication versions
- Integral downlight option for exit illumination
- Optional self-adhesive legend kit
- Status indicator shows operational condition
- Reliable Nickel Metal Hydride (NiMH) battery technology



IP65

IK10

Up to 78.3 LL/CW

### Specification

|               |         |           |      |
|---------------|---------|-----------|------|
| Mounting      | Surface | IP rating | IP65 |
| Impact rating | IK10    |           |      |

### Lighting

|              |                 |          |                  |
|--------------|-----------------|----------|------------------|
| Lumen output | 230 lm - 235 lm | Efficacy | Up to 78.3 LL/CW |
|--------------|-----------------|----------|------------------|

### Emergency data

|                          |         |                       |  |
|--------------------------|---------|-----------------------|--|
| Maximum viewing distance | 22 m    | Emergency type        | Maintained (wire link may be removed to enable non-maintained operation) |
| Emergency duration       | 3 hours | Battery specification | Nickel Metal Hydride (NiMH)  |

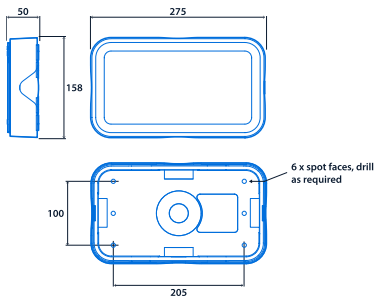
### Power

|           |     |               |     |
|-----------|-----|---------------|-----|
| LED power | 2 W | Circuit power | 3 W |
|-----------|-----|---------------|-----|

### Compliance

|                        |  |    |     |
|------------------------|--|----|-----|
| UKCA                   | Yes  | CE | Yes |
| Ball impact resistance | DIN EN 18032 Part 3 and DIN VDE 0710 Part 13 |    |     |

## Dimensions



View the  
range



Information is correct as of 20 Dec 2024, however must not be interpreted as a guarantee of individual product performance and/or characteristics. We reserve the right to alter specifications and designs without prior notice.