

## Vandal-resistant circular luminaires

Circular luminaires with high efficiency satin diffuser suitable for internal or external use. Strong high-pressure die-cast aluminium body with flame-retardant polycarbonate cover. SmartScan Radar, microwave presence detector, photocell and maintained emergency versions available.

Applications: internal and external lighting for communal residential buildings, security lighting, roof top, public staircases, pathway highlighting for schools, hospitals and other public buildings.

- Strong high-pressure die-cast LM6 aluminium body and bezel
- Plain or hooded options with high efficiency fire-retardant satin polycarbonate diffuser
- Concealed tamper-resistant cover screws as standard
- Optional photocell control
- Optional bezel trim for semi-recessed mounting
- Complies with M.O.D. JSP482 Chapter 8 Document for 'Category C' areas
- Microwave presence detector versions with stand-by light level feature
- SmartScan Radar versions with sensor discretely hidden behind the cover



IP66

IK11

Up to 118.2 LL/CW

SMARTSCAN

LUXGUARD

## Specification

Mounting	Surface	IP rating	IP66
Impact rating	IK11	Max presence detection height	Up to Wall 2.5 m / Ceiling 4 m

## Lighting

Optic	Satin diffuser	Lumen output	640 lm - 2,245 lm
Efficacy	Up to 118.2 LL/CW		

## Emergency data

Emergency lumen output	350 lm - 360 lm	Emergency type	Maintained
Emergency duration	3 hours	Battery specification	Lithium Iron Phosphate (LiFePO4) Nickel Metal Hydride (NiMH)

## Power

LED power	4 W - 16 W	Circuit power	6 W - 19 W
-----------	------------	---------------	------------

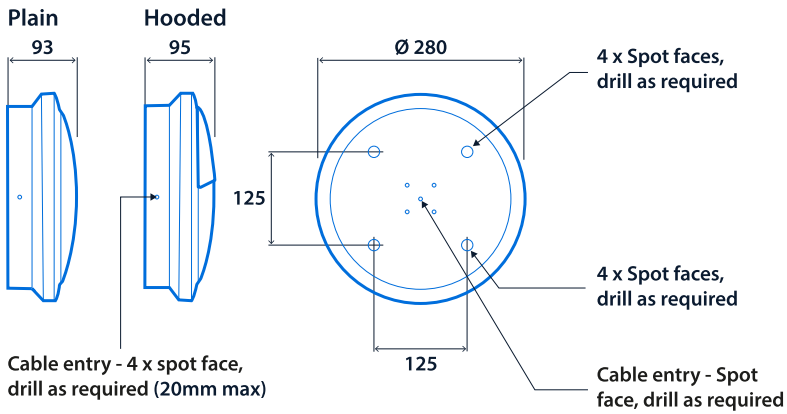
## LED characteristics

CRI	80+	Colour temperature	4000 K
Rated life (hours)	100 K - L80/B10		

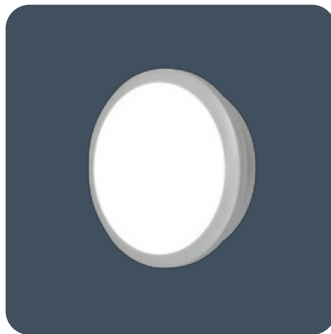
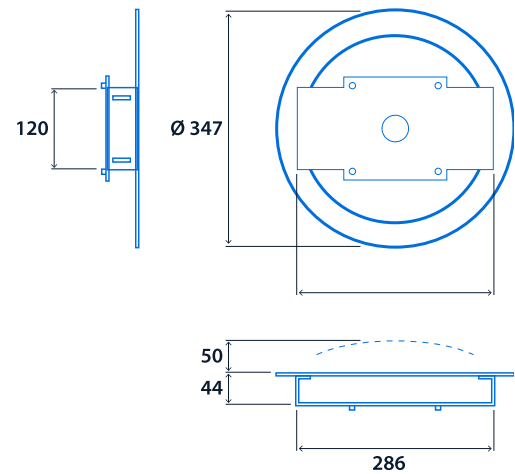
## Compliance

UKCA	Yes	CE	Yes
Energy efficiency class	This product contains a light source of energy efficiency class C	MOD compliance	JSP482 Chapter 8 Document for 'Category C' areas

## Dimensions



### Semi-recessed mounting bezel





## Click or scan here

View Prismalette 360 variants  
using our online filtering tool



Information is correct as of 30 Jan 2025, however must not be interpreted as a guarantee of individual product performance and/or characteristics. We reserve the right to alter specifications and designs without prior notice.