

Domed polycarbonate diffuser luminaires

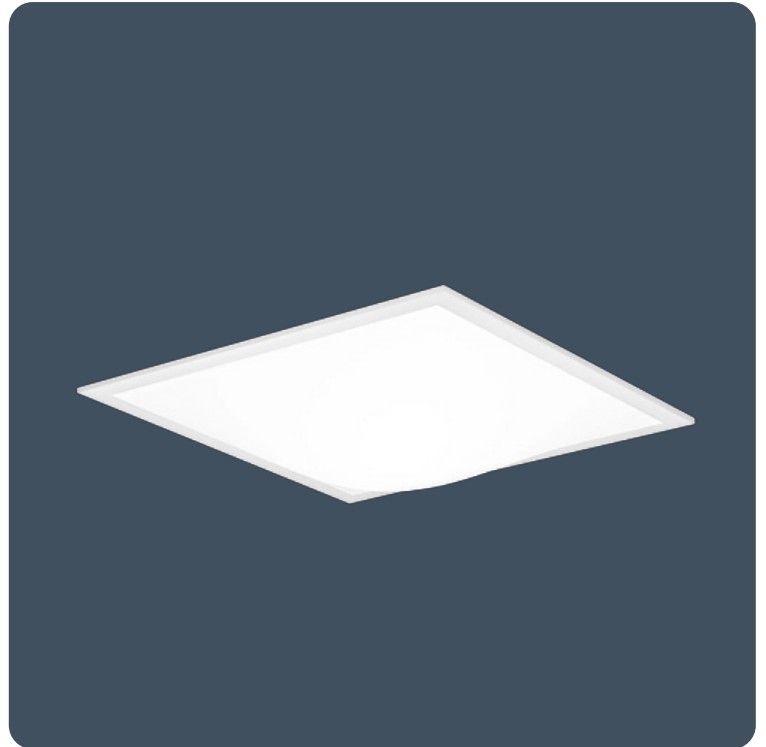
Highly efficient back-lit luminaires with a domed, polycarbonate diffuser.

SkyDome is part of the SkyCore family, a range of luminaires designed with sustainability and circularity principles in mind. SkyCore luminaires use the Fast-Fix wiring enclosure and Thorlux patented LUX Guard technology for fast installation, future flexibility and prolonged life.

Available in; recessed, surface and pendant mounting options.

Applications: classrooms, libraries, healthcare, break-out areas, canteens, circulation areas and entrance lobbies.

- Shallow body depth of 59 mm, 94 mm including the gearbox
- TM66 score of 2.7 - LIA/CIBSE certification scheme TSD-012 verified
- Domed diffuser provide excellent wall, ceiling and vertical illumination
- Suitable for most ceiling types with optional side arm suspensions and plasterboard mounting kits
- Designed to exclude dust, dirt and flies. All control gear is outside the LED enclosure
- Rapid installation using Fast-Fix wiring enclosure or SmartScan plug and play TEE connectors
- SmartScan wireless technology removes the need for control cabling. Ideal for retro-fit



Up to IP40 (IP20 above ceiling)

Up to IK09

Up to 150.6 LL/CW



TM66 circularity score 2.7

Specification

Mounting	Recessed Surface Suspended	IP rating	Up to IP40 (IP20 above ceiling)
Impact rating	Up to IK09	Nominal size	600 x 600 mm
Max presence detection height	8 m		

Sustainability

TM66 circularity score	2.7
------------------------	-----

Lighting

Optic	Opal diffuser	Lumen output	2,710 lm - 5,315 lm
Efficacy	Up to 150.6 LL/CW		

Emergency data

Emergency lumen output	330 lm	Emergency type	Maintained
Emergency duration	3 hours	Battery specification	Nickel Metal Hydride (NiMH)

Power

LED power	15 W - 33 W	Circuit power	18 W - 37 W
-----------	-------------	---------------	-------------

LED characteristics

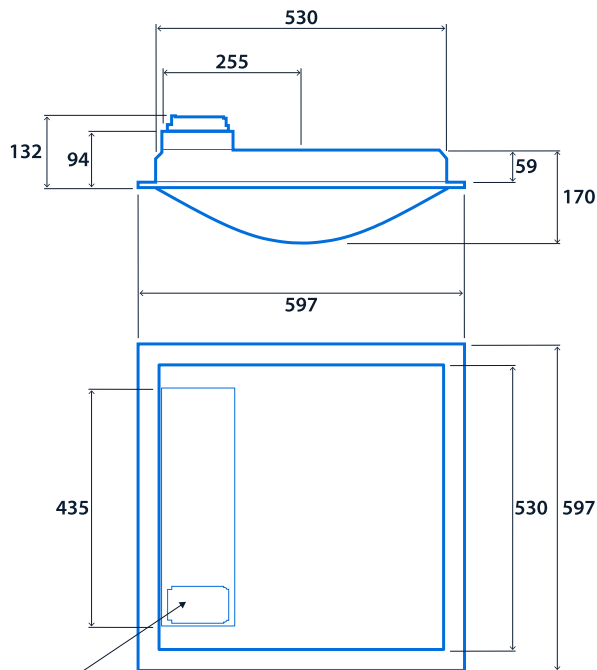
CRI	80+	Colour temperature	4000 K
Rated life (hours)	100 K - L90/B10		

Compliance

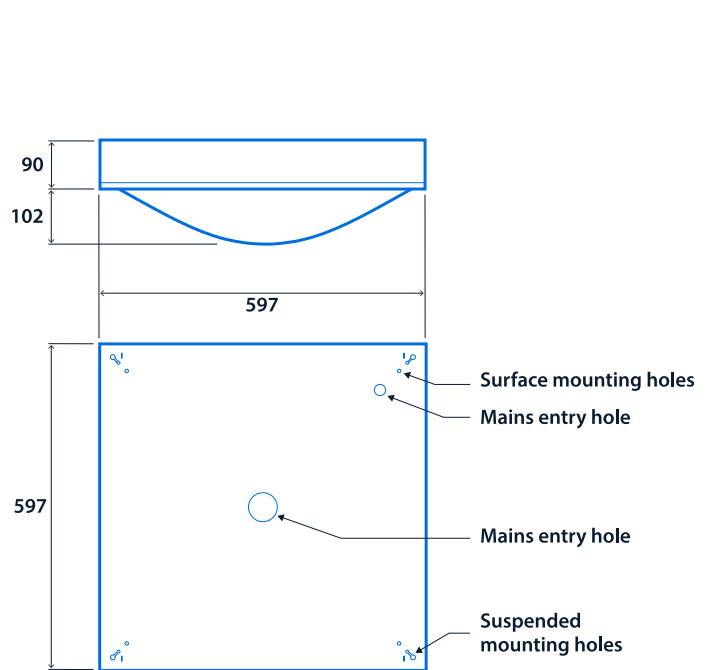
UKCA	Yes	CE	Yes
Energy efficiency class	This product contains a light source of energy efficiency class B	Thermoplastic rating	TP(a)

Dimensions

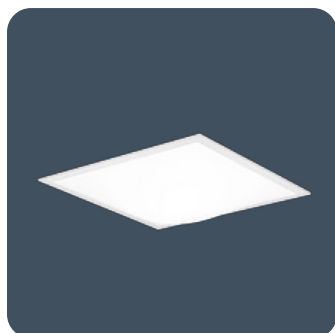
Recessed version



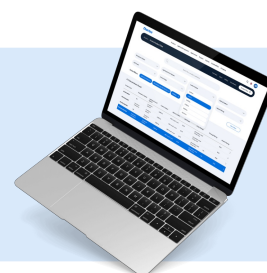
Surface/Suspended version



3-pole TEE (SmartScan versions)
Fast-Fix wiring enclosure (Non-dimming and DALI versions)



Click or scan here
View SkyDome variants using
our online filtering tool



Information is correct as of 30 Jan 2025, however must not be interpreted as a guarantee of individual product performance and/or characteristics. We reserve the right to alter specifications and designs without prior notice.