

# Three-65 Type 'n'

## Hazardous area LED emergency bulkhead luminaires

IP65 sealed self-test emergency LED luminaires for non-maintained use, legend kit available to identify escape routes.

Applications: Zone 2 & 22 areas.

- Suitable for use in areas classified as low impact risk
- Optional directional self-adhesive legends
- Nickel metal hydride rechargeable battery
- Three hour self-test emergency operation
- Suitable for ambient temperatures of 0°C to +40°C



IP65

0 LL/CW

### Specification

Mounting	Surface	IP rating	IP65
----------	---------	-----------	------

### Lighting

Optic	Opal cover
-------	------------

### Emergency data

Emergency lumen output	150 lm	Emergency type	Non-maintained
Emergency duration	3 hours	Battery specification	Nickel Metal Hydride (NiMH)

### Power

LED power	3 W	Circuit power	4 W
-----------	-----	---------------	-----

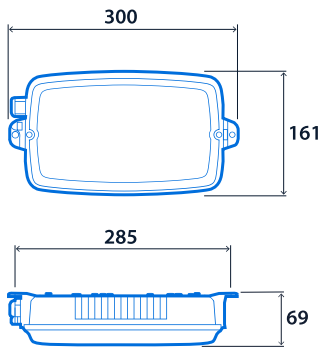
### LED characteristics

CRI	70+	Colour temperature	6500 K
Rated life (hours)	50 K - L70/B10		

## Compliance

UKCA	Yes	CE	Yes
Hazardous compliance	II 3 D Ex tc IIIC T60-80°C Dc II 3 G Ex nR IIC T4 Gc	ATEX certified	Yes

## Dimensions



**Click or scan here**  
View Three-65 Type 'n'  
variants using our online  
filtering tool



Information is correct as of 30 Jan 2025, however must not be interpreted as a guarantee of individual product performance and/or characteristics. We reserve the right to alter specifications and designs without prior notice.