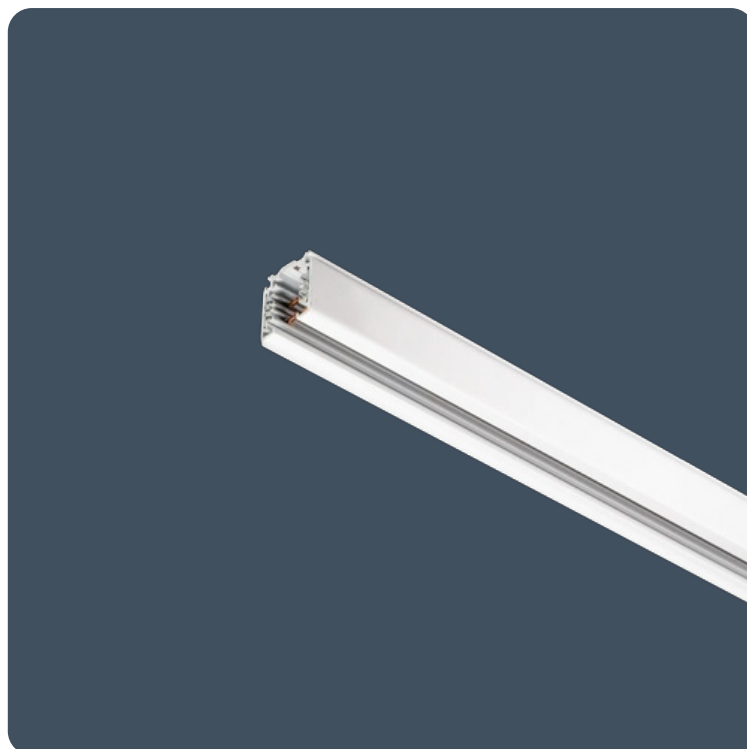


Universal lighting track system

Track lighting provides a way of installing spotlights into a space that is flexible to future changes, allowing spotlights to be added, removed or repositioned quickly without the need for any cabling. Attachments include the Pitch-M, Pitch-L and Pivitz.

- Recessed or surface mount versions
- 3-Circuit or DALI 3-circuit versions
- Modular connections for extending/joining track
- Track can be cut to size during installation if required. Bending tool is required
- Surface track can be suspended using optional wire suspension kit - see finishing components
- Maximum system current 16A
- Black and silver finishes available to special order (minimum order quantity applies)

Notes: See installation guide for mounting point locations



IP20

Specification

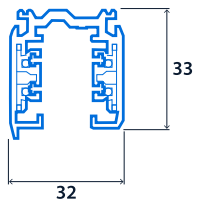
Mounting	Track	IP rating	IP20
Nominal size	1 m 2 m 3 m		

Compliance

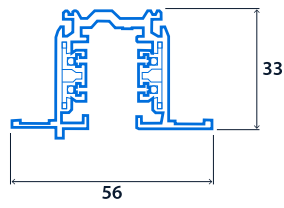
UKCA	Yes	CE	Yes
------	-----	----	-----

Dimensions

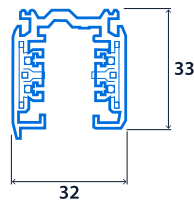
3-Circuit Track



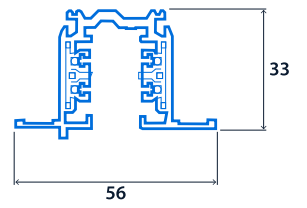
3-Circuit Track Recessed



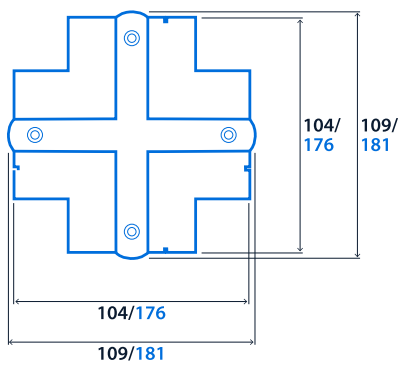
DALI 3-Circuit



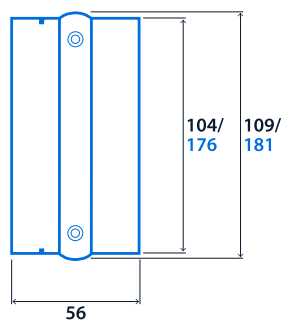
DALI 3-Circuit Recessed



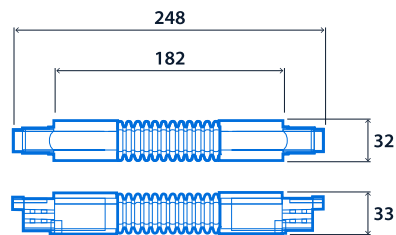
Cover Plate - Cross (Recessed Feed)



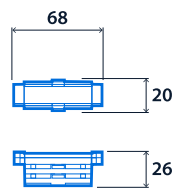
Cover Plate - Straight (Recessed Feed)



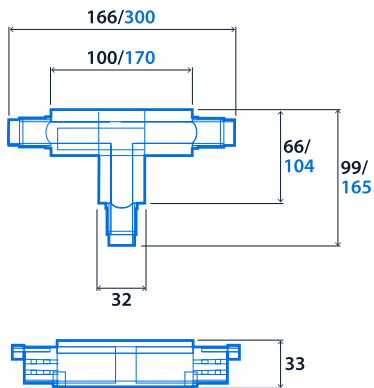
Flexible Coupler



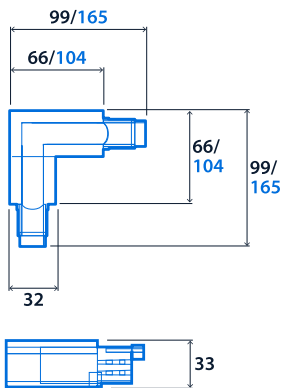
Straight Coupler



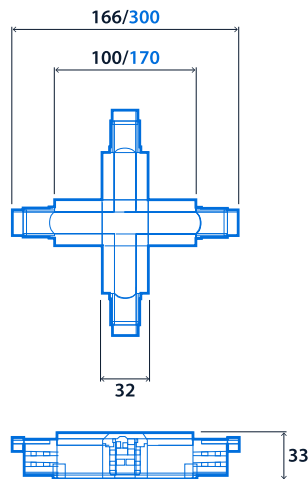
Tee Feed/Coupler



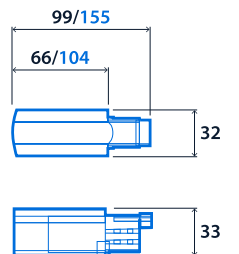
Angled Feed/Coupler



Cross feed

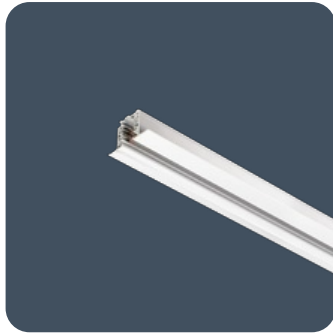
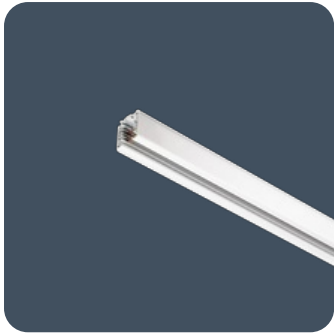


Feed



NOTE: Dimensions 3-Circuit/DALI 3-Circuit

Track



Click or scan here
View Track variants using our
online filtering tool



Information is correct as of 30 Jan 2025, however must not be interpreted as a guarantee of individual product performance and/or characteristics. We reserve the right to alter specifications and designs without prior notice.