

Emergency luminaires for recessed mounting with dedicated SmartScan wireless technology versions

LED emergency luminaires for recessed mounting with SmartScan wireless communication. Discreet LED emergency luminaires with superb optical performance. Three hour, non-maintained emergency operation. Eco-Power pluggable battery reduces maintenance time and cost.

Applications: open plan areas, corridors, storerooms, toilets etc.

- Small size - unobtrusive
- Superb photometric performance
- Pre-fitted 3 m lead option for connection into 6-pole or SmartScan 3-pole installations
- Low standby power consumption (1.7 W total)
- Easily replaceable Nickel Metal Hydride (NiMH) ECO-Power Pack battery
- Simple to install, full status reporting SmartScan wireless communication versions



IP65 (IP40 above ceiling) / IP20 control module

0 LL/CW

SMARTSCAN

Specification

| | | | |
|----------|----------|-----------|---|
| Mounting | Recessed | IP rating | IP65 (IP40 above ceiling) / IP20 control module |
|----------|----------|-----------|---|

Emergency data

| | | | |
|------------------------|-----------------|-----------------------|-----------------------------|
| Emergency lumen output | 185 lm - 270 lm | Emergency type | Non-maintained |
| Emergency duration | 3 hours | Battery specification | Nickel Metal Hydride (NiMH) |

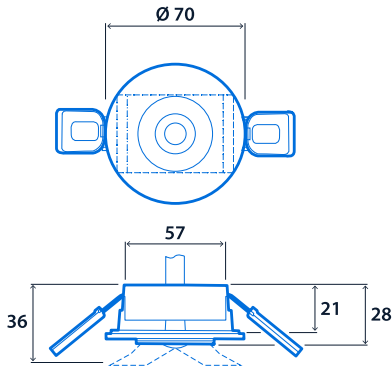
Power

| | | | |
|-----------|-----------|---------------|-----------|
| LED power | 2 W - 3 W | Circuit power | 2 W - 3 W |
|-----------|-----------|---------------|-----------|

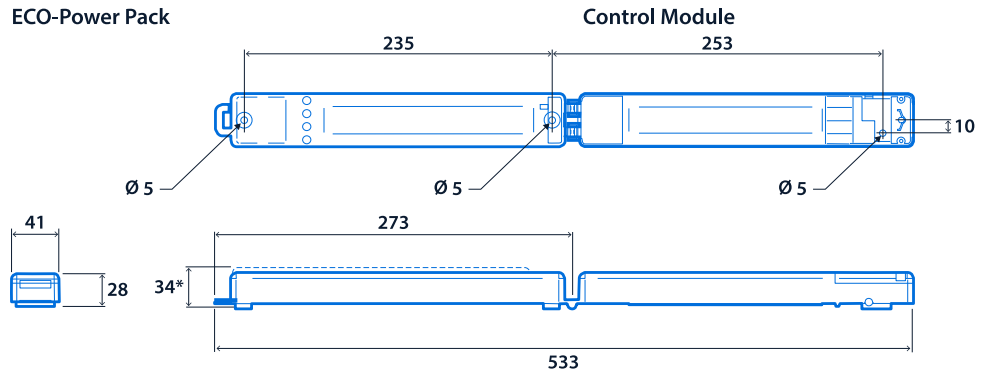
Compliance

| | | | |
|------|-----|----|-----|
| UKCA | Yes | CE | Yes |
|------|-----|----|-----|

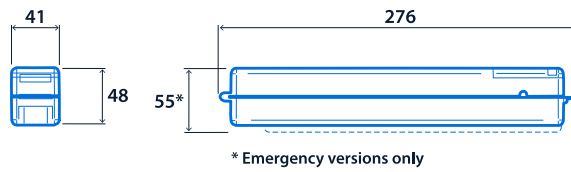
Dimensions



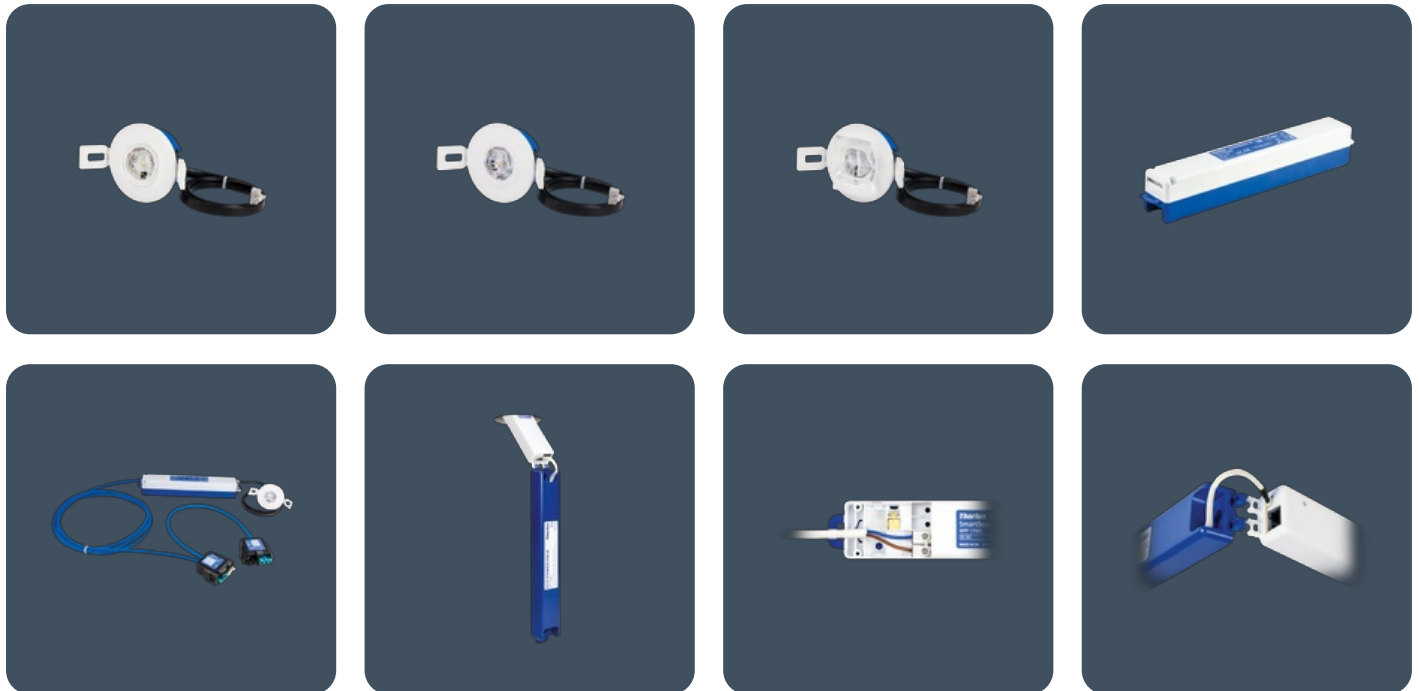
Cut-out - Ø 60
 Minimum void depth (when passing
 Control Module and ECO-Power Pack
 through cut-out) - 145mm**
 **170mm for emergency versions



Control Module and ECO-Power Pack Combined



Control Module and ECO-Power Pack
 are articulated for easy placement
 through a small cut hole. The two
 items may be clipped on top of each
 other for space saving.





Click or scan here

View Firefly variants using our
online filtering tool



Information is correct as of 30 Jan 2025, however must not be interpreted as a guarantee of individual product performance and/or characteristics. We reserve the right to alter specifications and designs without prior notice.