

High output emergency luminaires for recessed mounting with SmartScan wireless technology

High-power LED emergency luminaires for recessed mounting with SmartScan wireless communication. Discreet LED emergency luminaires with superb optical performance. Three hour, non-maintained emergency operation. Eco-Power pluggable battery reduces maintenance time and cost.

Applications: Areas with increased mounting heights or where increased illumination levels are required.

- Suitable for higher mounting applications
- Aids compliance with BS5266-1:2016 for areas where enhanced illuminance is needed at specific locations
- Pre-fitted 3 m lead option for connection into 6-pole or SmartScan 3-pole installations
- Low standby power consumption (1.7 W total)
- Easily replaceable Nickel Metal Hydride (NiMH) ECO-Power Pack battery
- Simple to install, full status reporting SmartScan wireless communication



IP65 (IP40 above ceiling) / IP20 control module 0 LL/CW SMARTSCAN

Specification

Mounting	Recessed	IP rating	IP65 (IP40 above ceiling) / IP20 control module
----------	----------	-----------	---

Emergency data

Emergency lumen output	555 lm - 565 lm	Emergency type	Non-maintained
Emergency duration	3 hours	Battery specification	Nickel Metal Hydride (NiMH)

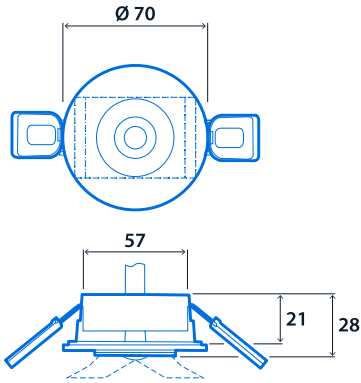
Power

LED power	4 W	Circuit power	4 W
-----------	-----	---------------	-----

Compliance

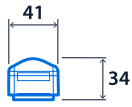
UKCA	Yes	CE	Yes
------	-----	----	-----

Dimensions

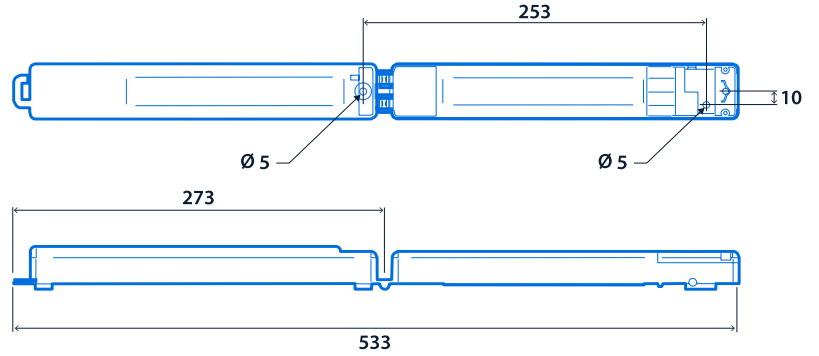


Cut-out - Ø 60
 Minimum void depth (when passing Control Module and ECO-Power Pack through cut-out) - 170mm

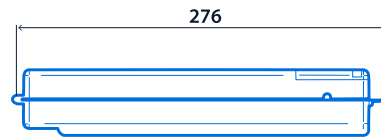
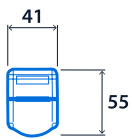
ECO-Power Pack



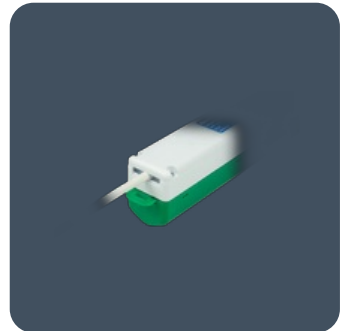
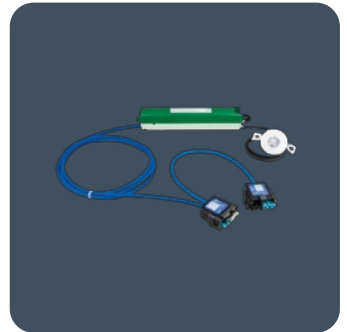
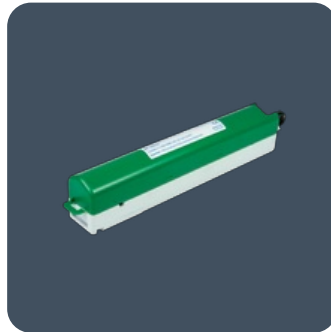
Control Module



Control Module and ECO-Power Pack Combined



Control Module and ECO-Power Pack are articulated for easy placement through a small cut hole. The two items may be clipped on top of each other for space saving.





Click or scan here

View Firefly Plus variants
using our online filtering tool



Information is correct as of 30 Jan 2025, however must not be interpreted as a guarantee of individual product performance and/or characteristics. We reserve the right to alter specifications and designs without prior notice.