

Area floodlight luminaires

Floodlights with flat glass optic for full horizontal cut-off (meets the strictest UK national standards for the eradication of sky glow). High elevation peak beam angle for outstanding area coverage. 62 W or 140 W LED versions

Applications: car parks, airports, railways, security, amenity areas and commercial / retail or industrial sites.

- Aluminium heat sink ensures cool running of control gear and LEDs for optimum life in high ambient temperatures
- High elevation peak beam angle for outstanding area coverage relative to mounting height
- High beam efficiency with low glare
- Universal bracket for wall or column mounting
- Photocell option
- SmartScan wireless technology removes the need for control cabling. Ideal for retro-fit

Notes: Column top versions - Mounting pots or crossarms are required for this luminaire and must be ordered separately



IP65

Up to 120.3 LL/CW

SMARTSCAN

LED PROTECT

Specification

Mounting	Column	IP rating	IP65
Windage rating	0.1 m ²	Max presence detection height	8 m

Lighting

Optic	Clear cover	Lumen output	8,025 lm - 18,050 lm
Efficacy	Up to 120.3 LL/CW		

Power

LED power	62 W - 140 W	Circuit power	68 W - 150 W
-----------	--------------	---------------	--------------

LED characteristics

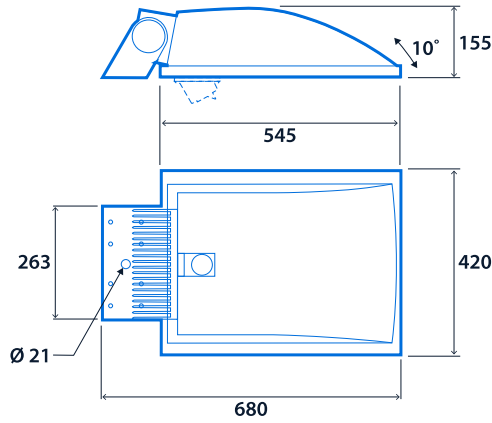
CRI	70+	Colour temperature	4000 K
Rated life (hours)	100 K - L90/B10		

Compliance

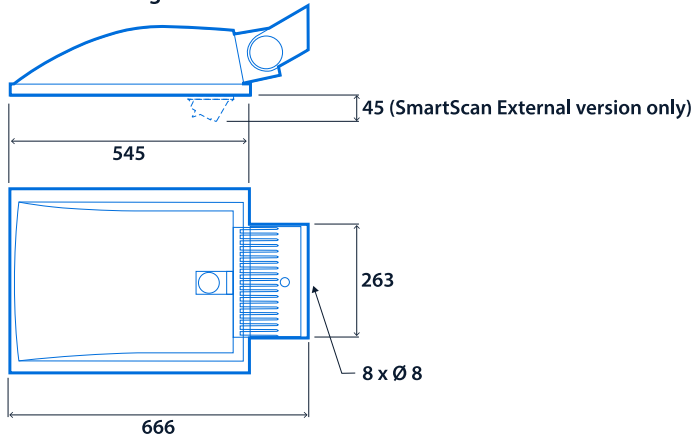
UKCA	Yes	CE	Yes
Energy efficiency class	This product contains a light source of energy efficiency class C		

Dimensions

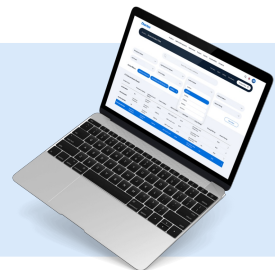
Column top mounting



Wall mounting



Click or scan here
View Starguard variants using our online filtering tool



Information is correct as of 30 Jan 2025, however must not be interpreted as a guarantee of individual product performance and/or characteristics. We reserve the right to alter specifications and designs without prior notice.