

## High performance LED low bay luminaires

The Comboseal is a high efficiency, IP66, circular LED luminaire for high and low bay applications, designed to be used as a direct replacement for traditional single point suspended discharge luminaires up to 250 W.

The Comboseal is available in 98 W and 137 W, with SmartScan versions with integral PIR suitable for use up to 8 m. The Thorlux designed PCBs are capable of producing over 22,000 lumens of white light, with colour rendition greater than 80 CRI.

Applications: Cold stores, general industrial areas, manufacturing, food processing, leisure centres, retail and commercial areas.

- Strong high pressure die-cast aluminium body
- High impact UV stabilised polycarbonate cover rated IK10
- Smooth wipe clean surfaces, no dust traps
- Integral high efficiency driver
- Extremely efficient and long system life up to 100,000 hours
- Separate non-maintained emergency versions available
- SmartScan wireless technology removes the need for control cabling. Ideal for retro-fit



IP66

IK10

Up to 156.2 LL/CW

SMARTSCAN

LUXGUARD

### Specification

|               |           |                               |      |
|---------------|-----------|-------------------------------|------|
| Mounting      | Suspended | IP rating                     | IP66 |
| Impact rating | IK10      | Max presence detection height | 8 m  |

### Lighting

|       |             |              |                       |
|-------|-------------|--------------|-----------------------|
| Optic | Clear cover | Lumen output | 16,555 lm - 22,410 lm |
|-------|-------------|--------------|-----------------------|

### Emergency data

|                        |          |                       |                             |
|------------------------|----------|-----------------------|-----------------------------|
| Emergency lumen output | 1,000 lm | Emergency type        | Non-maintained              |
| Emergency duration     | 3 hours  | Battery specification | Nickel Metal Hydride (NiMH) |

### Power

|           |             |               |             |
|-----------|-------------|---------------|-------------|
| LED power | 8 W - 137 W | Circuit power | 8 W - 147 W |
|-----------|-------------|---------------|-------------|

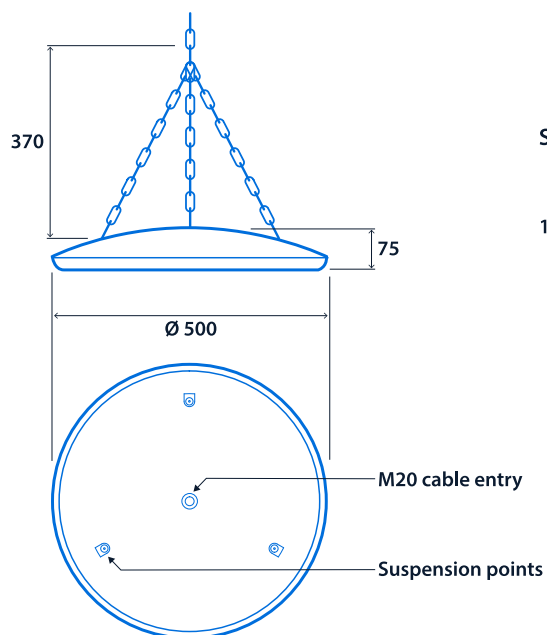
## LED characteristics

|                    |                 |                    |        |
|--------------------|-----------------|--------------------|--------|
| CRI                | 80+             | Colour temperature | 4000 K |
| Rated life (hours) | 100 K - L70/B10 |                    |        |

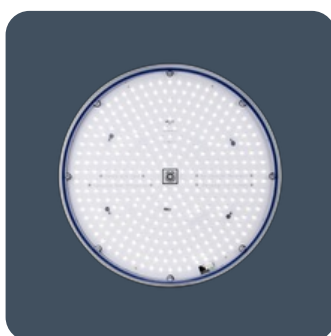
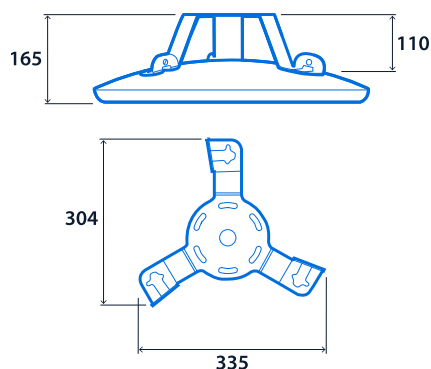
## Compliance

|                           |                     |                         |   |
|---------------------------|---------------------|-------------------------|---|
| UKCA                      | Yes                 | CE                      | Yes   |
| D Mark                    | Yes                 | Energy efficiency class | This product contains a light source of energy efficiency class B |
| Food production standards | BRC<br>HACCP<br>IFS |                         |   |

## Dimensions



Surface mount bracket





**Click or scan here**  
View Comboseal variants  
using our online filtering tool



Information is correct as of 11 Feb 2025, however must not be interpreted as a guarantee of individual product performance and/or characteristics. We reserve the right to alter specifications and designs without prior notice.