

# Firefly Plus Surface

## High output emergency luminaires for surface mounting with SmartScan wireless technology

High-power LED emergency luminaires for surface mounting with SmartScan wireless communication. Discrete LED emergency luminaires with superb optical performance. Three hour, non-maintained emergency operation. Choice of IP54 square or IP66 circular body styles.

Applications: Areas with increased mounting heights or where increased illumination levels are required.

- Suitable for higher mounting applications
- Aids compliance with BS5266-1:2016 for areas where enhanced illuminance is needed at specific locations
- Low standby power consumption (1.7 W total)
- Status indicator shows operational condition
- Easily replaceable Nickel Metal Hydride (NiMH) ECO-Power Pack battery
- Simple to install, full status reporting SmartScan wireless communication



Up to IP66    0 LL/CW    SMARTSCAN

### Specification

Mounting	Surface	IP rating	Up to IP66
----------	---------	-----------	------------

### Emergency data

Emergency lumen output	555 lm - 565 lm	Emergency type	Non-maintained
Emergency duration	3 hours	Battery specification	Nickel Metal Hydride (NiMH)

### Power

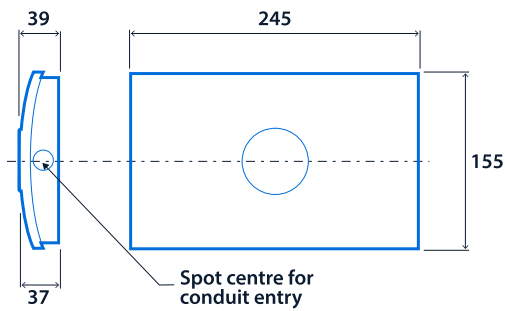
LED power	4 W	Circuit power	4 W
-----------	-----	---------------	-----

### Compliance

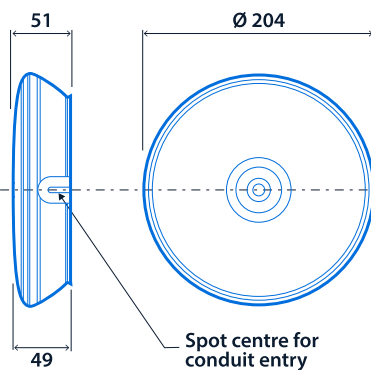
UKCA	Yes	CE	Yes
------	-----	----	-----

## Dimensions

Square body



Circular body



**Click or scan here**  
View Firefly Plus Surface  
variants using our online  
filtering tool



Information is correct as of 05 Feb 2025, however must not be interpreted as a guarantee of individual product performance and/or characteristics. We reserve the right to alter specifications and designs without prior notice.