

## Recessed low wattage LED downlighters with remote control gear

Recessed luminaires with injection moulded polycarbonate body housing with high efficiency remote phosphor mixing chamber. Accessories include drop glass, cones and halos. IP44 version available.

Applications: reception areas, retail, public areas and toilets. Anti ligature versions available.

- Remote phosphor mixing chamber
- Wide range of easy-fit accessories
- One size ceiling cut-out for all versions
- Supplied with remote gear unit fitted with 2 m lead



Up to IP44 (IP20 above ceiling)

Up to 85.7 LL/CW

LED PROTECT

### Specification

Mounting	Recessed	IP rating	Up to IP44 (IP20 above ceiling)
----------	----------	-----------	---------------------------------

### Lighting

Lumen output	600 lm - 1,190 lm	Efficacy	Up to 85.7 LL/CW
--------------	-------------------	----------	------------------

### Emergency data

Emergency type	Maintained	Emergency duration	3 hours
----------------	------------	--------------------	---------

Battery specification	Nickel Metal Hydride (NiMH)
-----------------------	-----------------------------

### Power

LED power	6 W - 12 W	Circuit power	7 W - 14 W
-----------	------------	---------------	------------

### LED characteristics

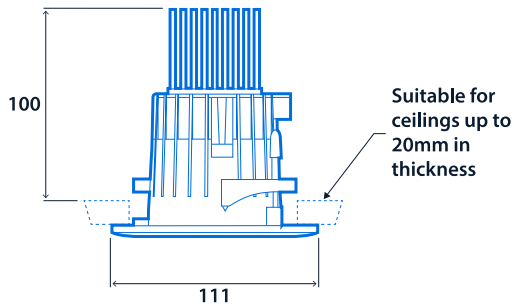
CRI	80+	Colour temperature	4000 K
-----	-----	--------------------	--------

Rated life (hours)	100 K - L90/B10
--------------------	-----------------

### Compliance

UKCA	Yes	CE	Yes
Energy efficiency class	This product contains a light source of energy efficiency class C		

### Dimensions



Cut out - Ø 89  
 Minimum void depth for emergency and AutoTest versions - 165



White bezel



White bezel with drop glass



Clear polycarbonate cone



Clear polycarbonate halo



Blue polycarbonate halo



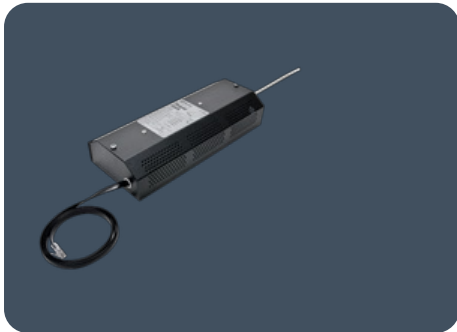
IP44 clear glass panel



IP44 frosted glass panel



Polycarbonate prismatic lens



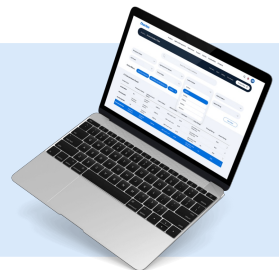
AutoTest and standard emergency power unit



Non-emergency remote driver



**Click or scan here**  
View G2 variants using our  
online filtering tool



Information is correct as of 20 Jan 2025, however must not be interpreted as a guarantee of individual product performance and/or characteristics. We reserve the right to alter specifications and designs without prior notice.