

Surface mounted LED luminaires

Surface mounted circular luminaires with opal polycarbonate cover.

Applications: stairways, circulation areas and information points.

- IP54 when used with optional sealing gasket (see accessories)
- SmartScan Radar versions with sensor discretely hidden behind the cover
- SmartScan wireless technology removes the need for control cabling. Ideal for retro-fit



IP40

Up to 136.0 LL/CW

SMARTSCAN

LUXGUARD

Lighting management

Lighting control system	Dimming (DALI) Non-dimming SmartScan Internal SmartScan Radar	Emergency system	AutoTest Emergency Non-emergency SmartScan Emergency Standard Emergency
-------------------------	--	------------------	--

Specification

Mounting	Surface	IP rating	IP40
Nominal size	380 mm dia. 490 mm dia.	Max presence detection height	Up to 8 m

Lighting

Optic Efficacy	Opal cover Up to 136.0 LL/CW	Lumen output	1,290 lm - 3,945 lm
-------------------	---------------------------------	--------------	---------------------

Emergency data

Emergency lumen output	170 lm - 380 lm	Emergency type	Maintained
Emergency duration	3 hours	Battery specification	Nickel Metal Hydride (NiMH)

Power

LED power	8 W - 26 W	Circuit power	10 W - 29 W
-----------	------------	---------------	-------------

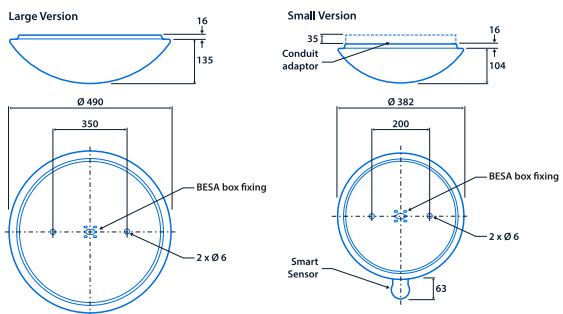
LED characteristics

CRI	80+	Colour temperature	4000 K
Rated life (hours)	100 K - L80/B10		

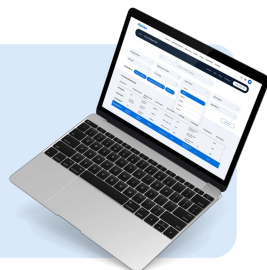
Compliance

UKCA	Yes	CE	Yes
Energy efficiency class	This product contains a light source of energy efficiency class B	SmartScan wireless standards compliance	Europe: EN 300 220-1 V2.4.1/ EN 301 489-3 V1.6.1. Australasia: ACMA 2014 Radio Communication Standard 2014. Thorlux Patented Wireless Technology - GB2575724

Dimensions



View the range



Information is correct as of 16 Oct 2024, however must not be interpreted as a guarantee of individual product performance and/or characteristics. We reserve the right to alter specifications and designs without prior notice.