

Recessed LED luminaires for use in high dependency / intensive care ward areas

Recessed luminaires with steel body and aluminium frame.

Two circuits with separate optics in one luminaire:

General Lighting - 56 W LED controlled via DALI gear behind a high efficiency Miro louvre delivering a controlled cut off for maximum patient comfort.

Examination Lighting - 56 W LED behind satin cover.

Applications: high dependency / intensive care hospital wards.

- Two circuits with separate optics in one luminaire - General Lighting - 56W LED controlled via DALI gear behind a high efficiency Miro louvre delivering a controlled cut off for maximum patient comfort / Examination Lighting - 56W LED (non-dimming) behind a satin polycarbonate diffuser
- Combination of both optical elements provides the full examination level of 1000 Lux
- Easy clean surface
- Extruded aluminium snap fix screw-less frame
- Supplied with side arm suspension kit

Notes: Dimming for louvre side only, two independent circuits in one luminaire. CRI 90 option available to special order.



Specification

Mounting	Recessed	IP rating	IP54
Nominal size	600 x 600 mm		

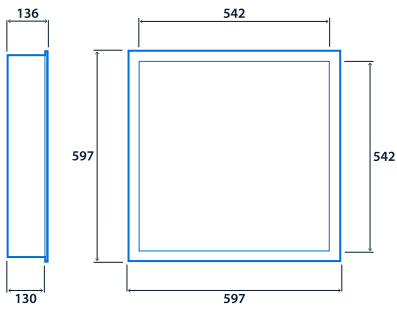
Power

LED power	112 W
-----------	-------

LED characteristics

CRI	80+	Colour temperature	4000 K
Rated life (hours)	50 K - L70/B10		

Dimensions



View the
range



Information is correct as of 21 Nov 2024, however must not be interpreted as a guarantee of individual product performance and/or characteristics. We reserve the right to alter specifications and designs without prior notice.