

Adjustable recessed accent downlights

Recessed mounted display luminaires. 355° azimuth adjustment and a 60° vertical adjustment. 20 W, 28 W or 35 W – 17°, 28° or 41° beam versions.

Applications: reception areas, retail, display, circulation spaces, atriums, public buildings, car showrooms.

- 28° and 41° beam angle versions
- 355° azimuth adjustment
- 60° vertical adjustment
- Supplied with remote gear unit fitted with 2 m lead
- Luminaires can be supplied pre-wired with a purpose made 1 m connection lead for plugging directly into the Smart Hub
- Fitted with CRI 90 LEDs with enhanced R9 value. Suitable for retail applications

Notes: Black and silver finishes and CRI 80 version available to special order (minimum order quantity applies)



IP20

Up to 88.8 LL/CW

Specification

Mounting	Recessed	IP rating	IP20
----------	----------	-----------	------

Lighting

Lumen output	1,960 lm - 3,305 lm	Efficacy	Up to 88.8 LL/CW
--------------	---------------------	----------	------------------

Power

LED power	20 W - 35 W	Circuit power	24 W - 41 W
-----------	-------------	---------------	-------------

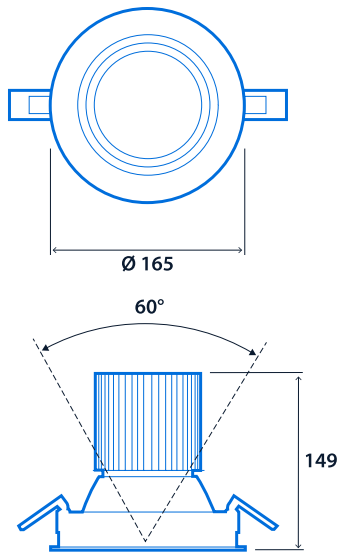
LED characteristics

CRI	90+	Colour temperature	3000 K 4000 K
Rated life (hours)	50 K - L70/B10		

Compliance

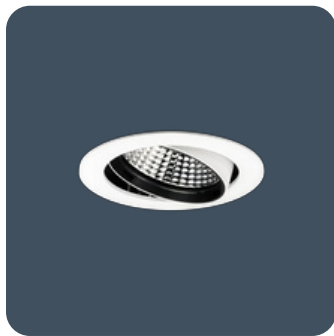
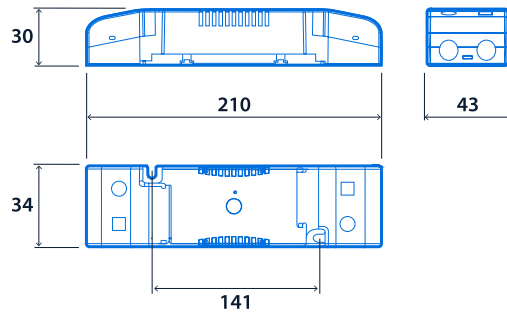
UKCA	Yes	CE	Yes
Energy efficiency class	This product contains a light source of energy efficiency class E		

Dimensions



Cut-out - Ø 156
Minimum ceiling void - 200

Standard Remote Driver





Click or scan here
View Mina-L variants using
our online filtering tool



Information is correct as of 15 Jan 2025, however must not be interpreted as a guarantee of individual product performance and/or characteristics. We reserve the right to alter specifications and designs without prior notice.