

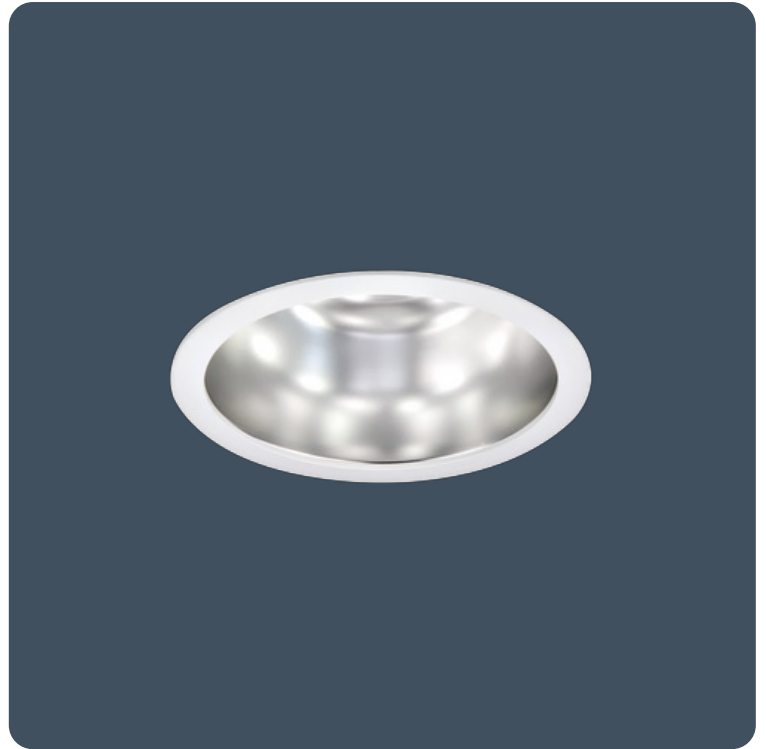
Broad - Circular recessed downlights

Recessed luminaires finished satin white with spun aluminium reflector. High output circular downlights for double height ceilings.

Applications: Offices, reception areas, atriums, public buildings and retail.

- Broad distribution reflector
- Sprung suspension arms for rapid installation
- Supplied with remote gear unit fitted with 2 m lead
- Luminaires can be supplied pre-wired with a purpose made 1 m connection lead for plugging directly into the Smart Hub

Notes: Black and silver finishes available to special order (minimum order quantity applies)



IP20 Up to 108.2 LL/CW

Specification

Mounting	Recessed	IP rating	IP20
----------	----------	-----------	------

Lighting

Lumen output	2,015 lm - 3,085 lm	Efficacy	Up to 108.2 LL/CW
--------------	---------------------	----------	-------------------

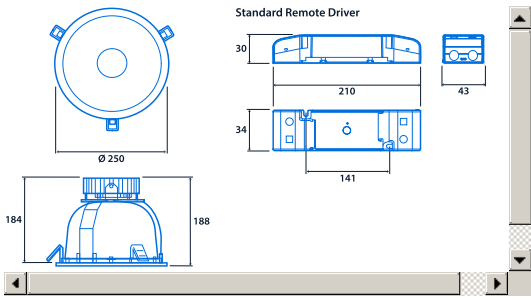
Power

LED power	17 W - 26 W	Circuit power	20 W - 30 W
-----------	-------------	---------------	-------------

LED characteristics

CRI	80+	Colour temperature	3000 K 4000 K
Rated life (hours)	50 K - L70/B10		

Dimensions



View the
range



Information is correct as of 21 Nov 2024, however must not be interpreted as a guarantee of individual product performance and/or characteristics. We reserve the right to alter specifications and designs without prior notice.