

Opal polycarbonate diffuser luminaires

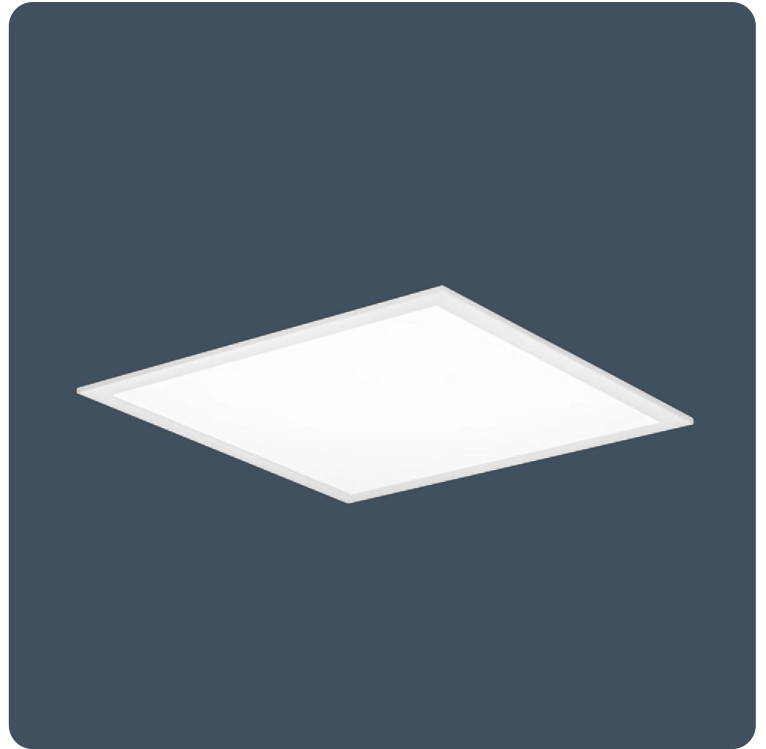
Highly efficient back-lit luminaires with an opal, polycarbonate diffuser.

SkyGlo is part of the SkyCore family, a range of luminaires designed with sustainability and circularity principles in mind. SkyCore luminaires use the Fast-Fix wiring enclosure and Thorlux patented LUX Guard technology for fast installation, future flexibility and prolonged life.

Available in; recessed, surface and pendant mounting options.

Applications: education, healthcare, break-out areas, canteens, circulation areas and toilets.

- Shallow body depth of 59 mm, 94 mm including the gearbox
- TM66 score of 2.7 - LIA/CIBSE certification scheme TSD-012 verified
- Suitable for most ceiling types with optional side arm suspensions and plasterboard mounting kits
- Designed to exclude dust, dirt and flies. All control gear is outside the LED enclosure
- Rapid installation using Fast-Fix wiring enclosure or SmartScan plug and play TEE connectors
- SmartScan wireless technology removes the need for control cabling. Ideal for retro-fit



Up to IP54 (IP20 above ceiling)

Up to IK09

Up to 153.1 LL/CW

TM66 circularity score 2.7

Lighting management

| | | | |
|-------------------------|---|------------------|--|
| Lighting control system | Dimming (DALI) Non-dimming SmartScan Internal | Emergency system | DALI / Self-Test Emergency Non-emergency SmartScan Emergency Standard Emergency |
|-------------------------|---|------------------|--|

Specification

| | | | |
|-------------------------------|----------------------------------|--------------|---------------------------------|
| Mounting | Recessed Surface Suspended | IP rating | Up to IP54 (IP20 above ceiling) |
| Impact rating | Up to IK09 | Nominal size | 600 x 600 mm 1200 x 300 mm |
| Max presence detection height | 8 m | | |

Sustainability

| | |
|------------------------|-----|
| TM66 circularity score | 2.7 |
|------------------------|-----|

Lighting

| | | | |
|----------|-------------------|--------------|---------------------|
| Optic | Opal diffuser | Lumen output | 2,665 lm - 5,410 lm |
| Efficacy | Up to 153.1 LL/CW | | |

Emergency data

| | | | |
|------------------------|---------|-----------------------|-----------------------------|
| Emergency lumen output | 390 lm | Emergency type | Maintained |
| Emergency duration | 3 hours | Battery specification | Nickel Metal Hydride (NiMH) |

Power

| | | | |
|-----------|-------------|---------------|-------------|
| LED power | 15 W - 34 W | Circuit power | 18 W - 38 W |
|-----------|-------------|---------------|-------------|

LED characteristics

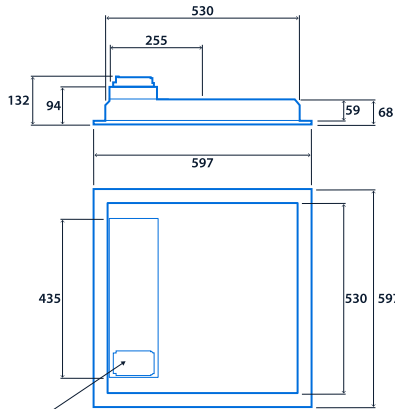
| | | | |
|--------------------|-----------------------|--------------------|--------|
| CRI | 80+ | Colour temperature | 4000 K |
| Rated life (hours) | Up to 100 K - L90/B10 | | |

Compliance

| | | | |
|---|--|----|-------|
| UKCA | Yes | CE | Yes |
| Energy efficiency class | This product contains a light source of Thermoplastic rating energy efficiency class B | | TP(a) |
| SmartScan wireless standards compliance | Europe: EN 300 220-1 V2.4.1/ EN 301 489-3 V1.6.1. Australasia: ACMA 2014 Radio Communication Standard 2014. Thorlux Patented Wireless Technology - GB2575724 | | |

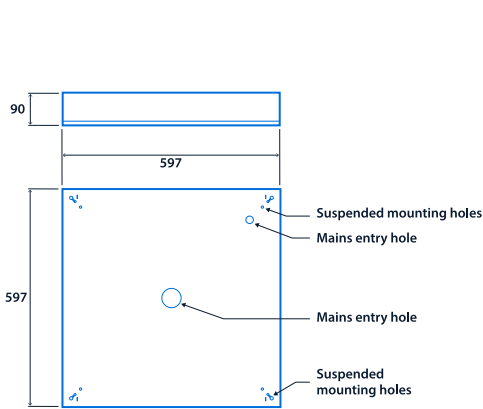
Dimensions

Recessed version 600 x 600

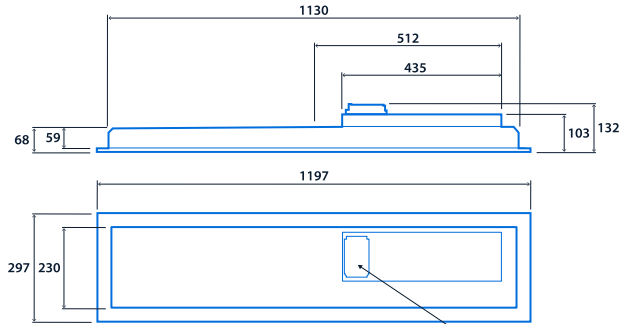


3-pole TEE (SmartScan versions)
Fast-Fix wiring enclosure (Non-dimming and DALI versions)

Surface/Suspended version 600 x 600



Recessed version 1200 x 300



3-pole TEE (SmartScan versions)
Fast-Fix wiring enclosure (Non-dimming and DALI versions)



View the range



Information is correct as of 16 Oct 2024, however must not be interpreted as a guarantee of individual product performance and/or characteristics. We reserve the right to alter specifications and designs without prior notice.