

Low glare polycarbonate diffuser luminaires

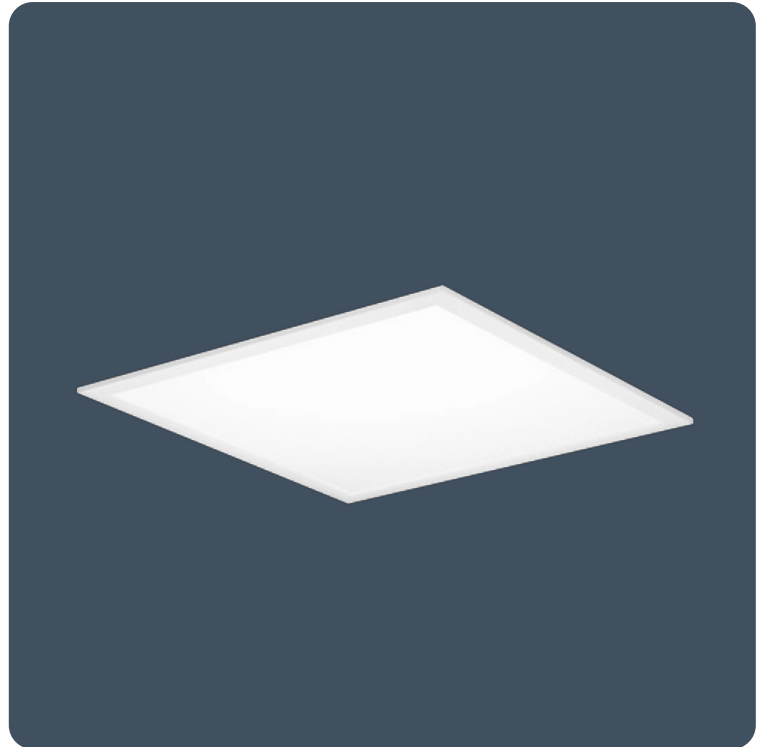
Highly efficient back-lit luminaires with a flat, low glare diffuser.

SkyPro is part of the SkyCore family, a range of luminaires designed with sustainability and circularity principles in mind. SkyCore luminaires use the Fast-Fix wiring enclosure and Thorlux patented LUX Guard technology for fast installation, future flexibility and prolonged life.

Available in; recessed, surface and pendant mounting options.

Applications: offices, teaching spaces, libraries, healthcare, meeting rooms and reception areas.

- Shallow body depth of 59 mm, 94 mm including the gearbox
- TM66 score of 2.7 - LIA/CIBSE certification scheme TSD-012 verified
- Suitable for most ceiling types with optional side arm suspensions and plasterboard mounting kits
- Designed to exclude dust, dirt and flies. All control gear is outside the LED enclosure
- Rapid installation using Fast-Fix wiring enclosure or SmartScan plug and play TEE connectors
- SmartScan wireless technology removes the need for control cabling. Ideal for retro-fit



Up to IP54 (IP20 above ceiling)
Up to IK09
Up to 150.3 LL/CW
SMARTSCAN
LUXGUARD
TM66 circularity score 2.7

Specification

Mounting	Recessed Surface Suspended	IP rating	Up to IP54 (IP20 above ceiling)
Impact rating	Up to IK09	Nominal size	600 x 600 mm 1200 x 300 mm

Sustainability

TM66 circularity score	2.7
------------------------	-----

Lighting

Optic	Low glare diffuser	Lumen output	2,705 lm - 5,380 lm
Efficacy	Up to 150.3 LL/CW		

Emergency data

Emergency lumen output	390 lm - 400 lm	Emergency type	Maintained
Emergency duration	3 hours	Battery specification	Nickel Metal Hydride (NiMH)

Power

LED power	15 W - 34 W	Circuit power	18 W - 38 W
-----------	-------------	---------------	-------------

LED characteristics

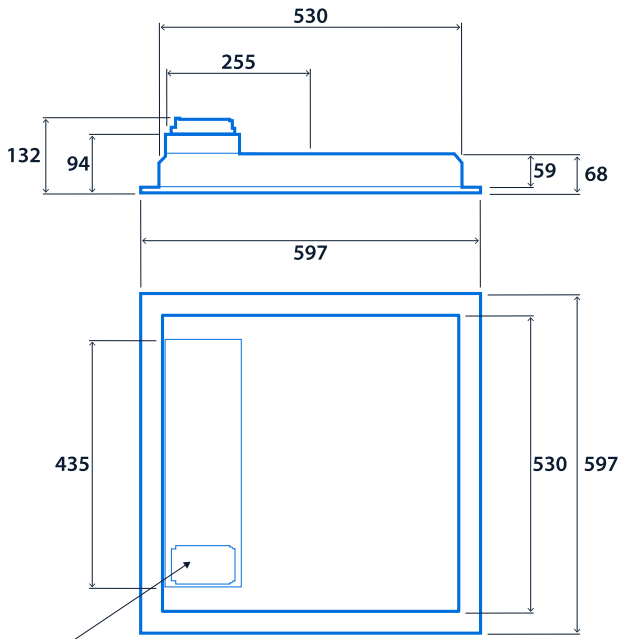
CRI	80+	Colour temperature	4000 K
Rated life (hours)	Up to 100 K - L90/B10		

Compliance

UKCA	Yes	CE	Yes
Energy efficiency class	This product contains a light source of energy efficiency class B	Thermoplastic rating	TP(a)

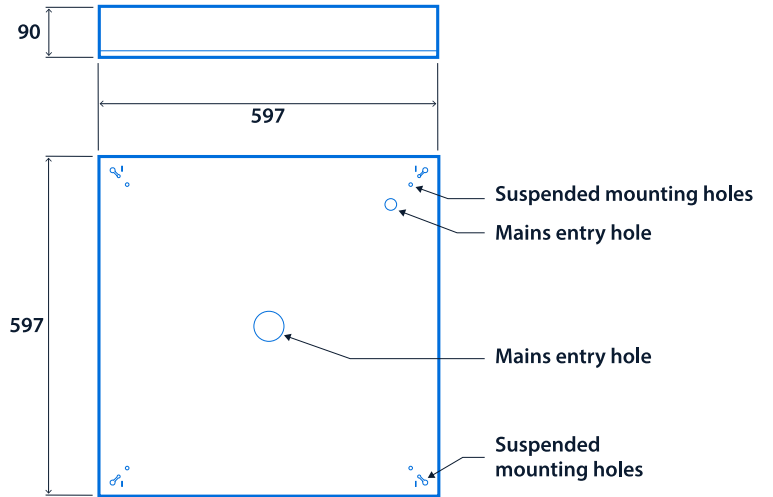
Dimensions

Recessed version 600 x 600

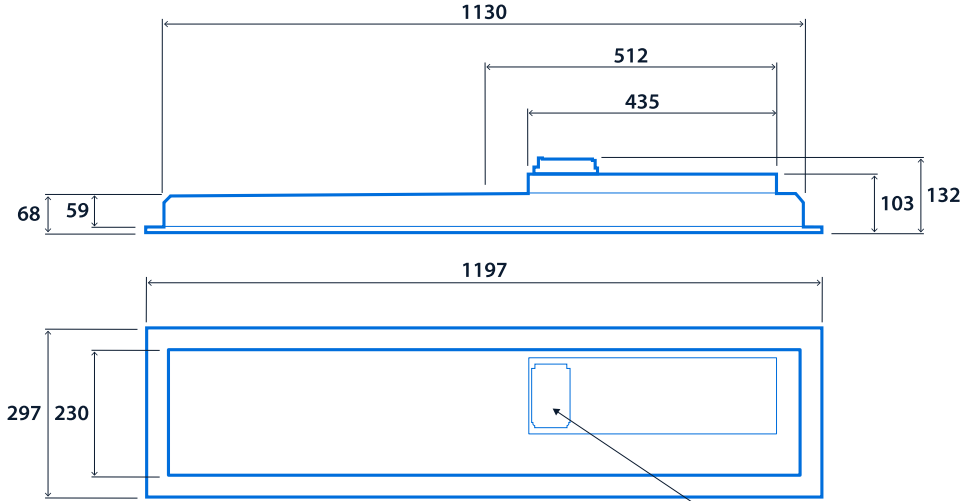


3-pole TEE (SmartScan versions)
Fast-Fix wiring enclosure (Non-dimming and DALI versions)

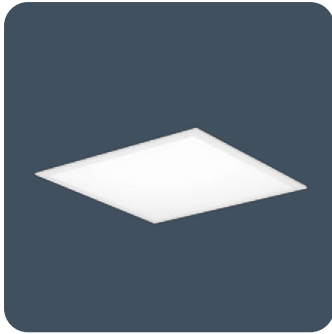
Surface/Suspended version 600 x 600



Recessed version 1200 x 300



3-pole TEE (SmartScan versions)
Fast-Fix wiring enclosure (Non-dimming and DALI versions)



Click or scan here
View SkyPro variants using
our online filtering tool



Information is correct as of 05 Feb 2025, however must not be interpreted as a guarantee of individual product performance and/or characteristics. We reserve the right to alter specifications and designs without prior notice.