

SmartScan Programmer

Infra-red programmer for SmartScan luminaires

Infra-red programmer for SmartScan and Smart luminaires. Programs operational settings, reads luminaire status and initiates system tests. Configures wireless communications and mesh network for SmartScan luminaires.

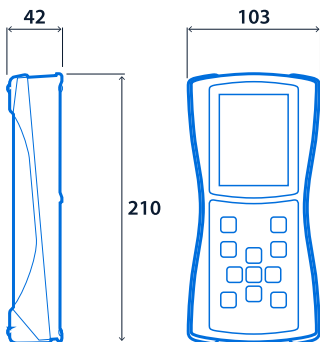
- Rugged silicone sleeve for improved durability
- Sealed keypad
- Programs operational settings, reads luminaire status and initiates system tests
- Configures wireless communications and mesh network
- Tests emergency luminaires
- Reads back status information from SmartScan emergency luminaires and compatible SmartScan Sensors
- Powered by Lithium-ion battery - rechargeable via USB-C port



Compliance

UKCA Yes CE Yes

Dimensions



SmartScan Programmer



Click or scan here
View SmartScan Programmer
variants using our online
filtering tool



Information is correct as of 20 Jan 2025, however must not be interpreted as a guarantee of individual product performance and/or characteristics. We reserve the right to alter specifications and designs without prior notice.