

Supreme performance LED luminaires for high and low bay applications

The Visio exemplifies the supreme performance that is expected of Thorlux luminaires providing up to 49,760 lumens and an efficiency of up to 170.1 luminaire lumens per circuit watt. The Visio is available in five wattages and four light distributions ensuring there is a solution for a wide range of mounting heights, spacings and applications. Extremely long life, fast installation and easy maintenance of integral emergency versions are key features of Visio.

SmartScan versions have a unique sensor that can be optimised for use up to 18 m, maintaining excellent occupancy detection. SmartScan "wireless" versions eliminate the requirement for control cabling often associated with retrofit installations.

Applications: General open factory areas, storage, high-level racking aisles, retail and commercial areas.

- Shallow design - unobtrusive
- Four light distribution options
- Up to 49,760 lumen output
- External mounting brackets for surface, suspension or busbar mounting
- Fitted with 2 m lead
- SmartScan wireless technology removes the need for control cabling. Ideal for retro-fit



IP40

IK07

Up to 170.1 LL/CW

SMARTSCAN

LUXGUARD

Specification

Mounting	Surface Suspended	IP rating	IP40
Impact rating	IK07	Nominal size	800 mm 1400 mm 2000 mm
Max presence detection height	18 m		

Lighting

Lumen output	17,460 lm - 49,760 lm	Efficacy	Up to 170.1 LL/CW
--------------	-----------------------	----------	-------------------

Emergency data

Emergency lumen output	960 lm - 1,090 lm	Emergency type	Maintained
Emergency duration	3 hours	Battery specification	Nickel Metal Hydride (NiMH)

Power

LED power	101 W - 308 W	Circuit power	110 W - 322 W
-----------	---------------	---------------	---------------

LED characteristics

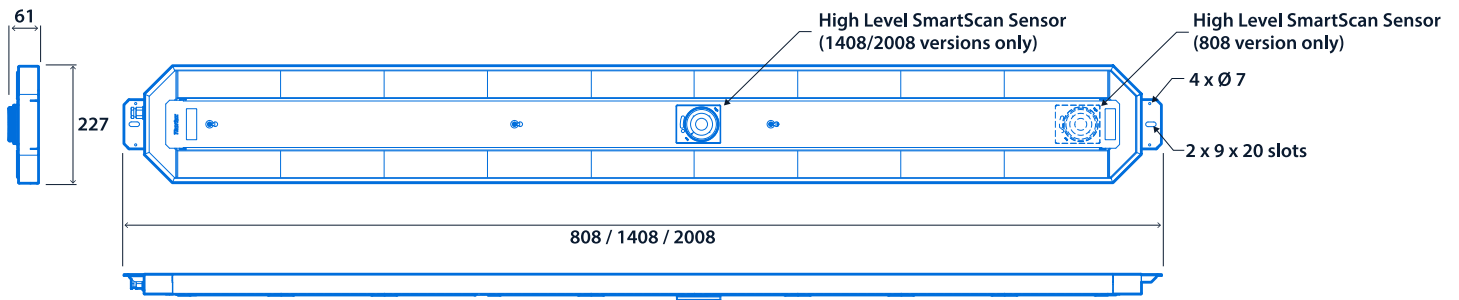
CRI	80+	Colour temperature	4000 K
Rated life (hours)	100 K - L70/B10		

Compliance

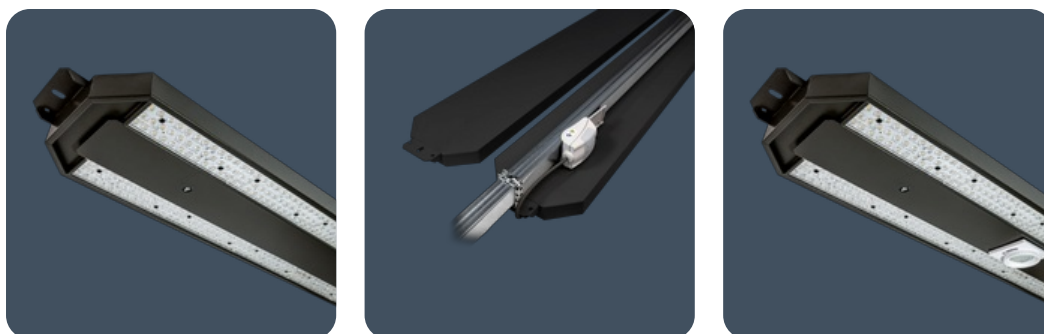
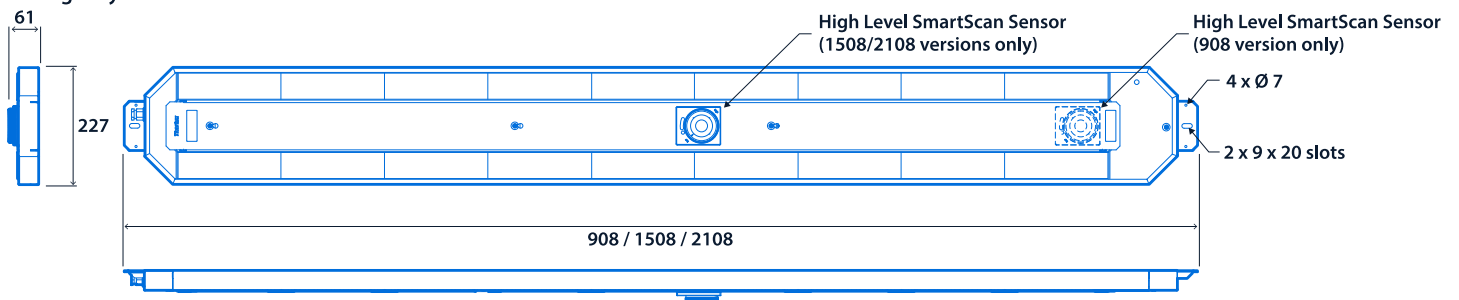
UKCA	Yes	CE	Yes
Energy efficiency class	This product contains a light source of energy efficiency class B		

Dimensions

Standard and SmartScan



Emergency





Click or scan here

View Visio variants using our
online filtering tool



Information is correct as of 05 Feb 2025, however must not be interpreted as a guarantee of individual product performance and/or characteristics. We reserve the right to alter specifications and designs without prior notice.