

## Continuous LED lighting system for commercial applications

The Zipline combines architectural impact, longevity and supreme efficiency (192.1 LL/CW) providing the lighting designer with the perfect lighting solution for many building-wide applications.

Extruded aluminium trunking is connected to a range of luminaire modules. These modules can be a combination of luminaire, emergency luminaire, spotlight and passive infra-red detector and are designed to snap into sockets located at regular intervals, ensuring a fast, flexible installation.

With five power options, broad, narrow and double asymmetric light distributions and a variety of accessories the Zipline is a truly versatile lighting system.

Applications: retail, warehousing, manufacturing, schools, art galleries, data centres.

- Narrow, broad or double asymmetric distribution luminaire module options
- White extruded aluminium trunking
- Pre-installed wiring loom, module sockets at 750 mm intervals
- Plug and socket connections between trunking joints
- Modules click fit using stainless steel spring (requires a standard screwdriver to release)
- SmartScan wireless technology removes the need for control cabling. Ideal for retro-fit

Notes: See installation guide for mounting point locations



IP20

Up to 192.1 LL/CW

SMARTSCAN

LUXGUARD

### Specification

Mounting	Surface Suspended	IP rating	IP20
Nominal size	1500 mm module	Max presence detection height	8 m

### Lighting

Lumen output	4,400 lm - 11,060 lm	Efficacy	Up to 192.1 LL/CW
--------------	----------------------	----------	-------------------

### Emergency data

Emergency lumen output	675 lm - 700 lm	Emergency type	Maintained
Emergency duration	3 hours	Battery specification	Nickel Metal Hydride (NiMH)

## Power

LED power	22 W - 64 W	Circuit power	24 W - 67 W
-----------	-------------	---------------	-------------

## LED characteristics

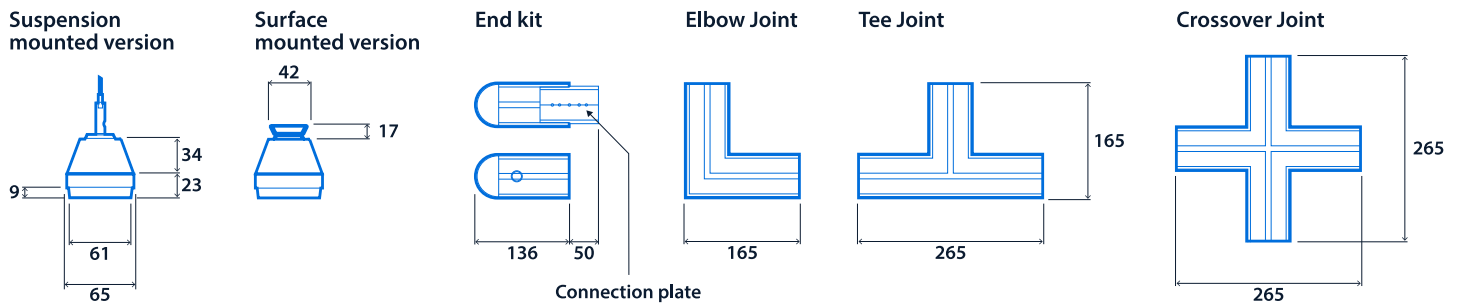
CRI	80+	Colour temperature	4000 K
Rated life (hours)	100 K - L70/B10		

## Compliance

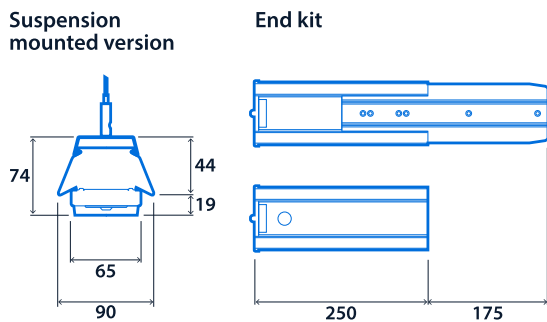
UKCA	Yes	CE	Yes
Energy efficiency class	This product contains a light source of energy efficiency class B		

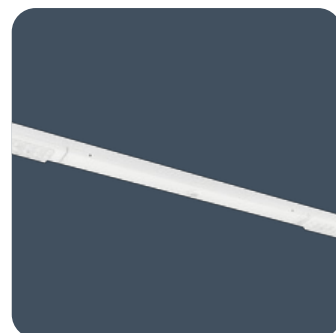
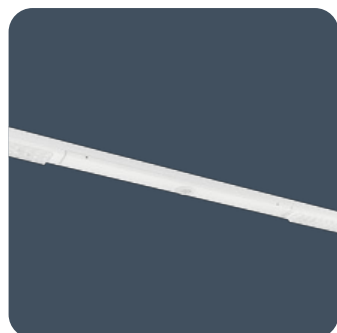
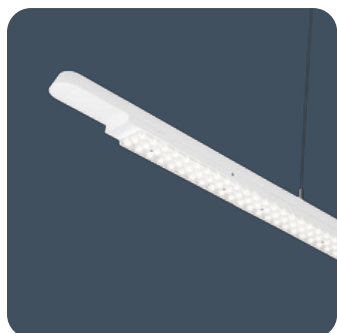
## Dimensions

### White extruded aluminium trunking



### Raw galvanised steel trunking





Firefly module

SmartScan module

PIR module

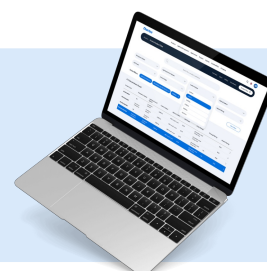


Single spotlight module

Twin spotlight module



**Click or scan here**  
View Zipline variants using  
our online filtering tool



Information is correct as of 15 Jan 2025, however must not be interpreted as a guarantee of individual product performance and/or characteristics. We reserve the right to alter specifications and designs without prior notice.